

8 7 6 5 4 3 2 1

A

SPECIFICATIONS

RATINGS:
 20A 125VAC, 16A 250VAC UL, cUL
 1/2HP 125VAC 105°C UL, cUL

16(6)A 250V~ VDE
 10(4)A 250V~ VDE

CONTACT RESISTANCE:
 35mΩ Max. at 50VDC

INSULATION RESISTANCE:
 100MΩ at 500VDC

WITHSTAND VOLTAGE:
 2,000VAC For 1 Minute

ELECTRICAL LIFE:
 >10,000 Cycles

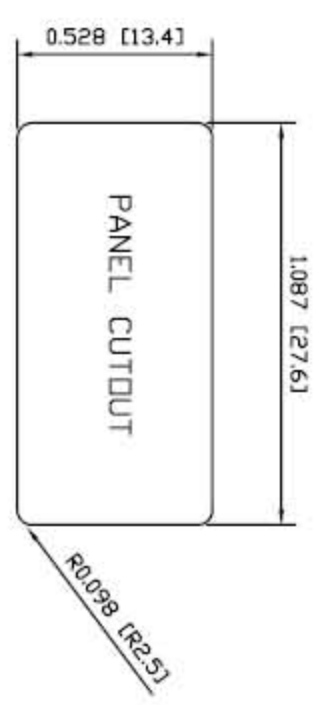
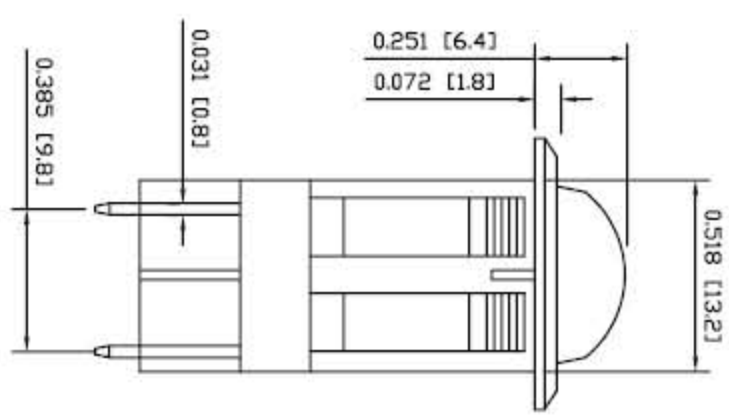
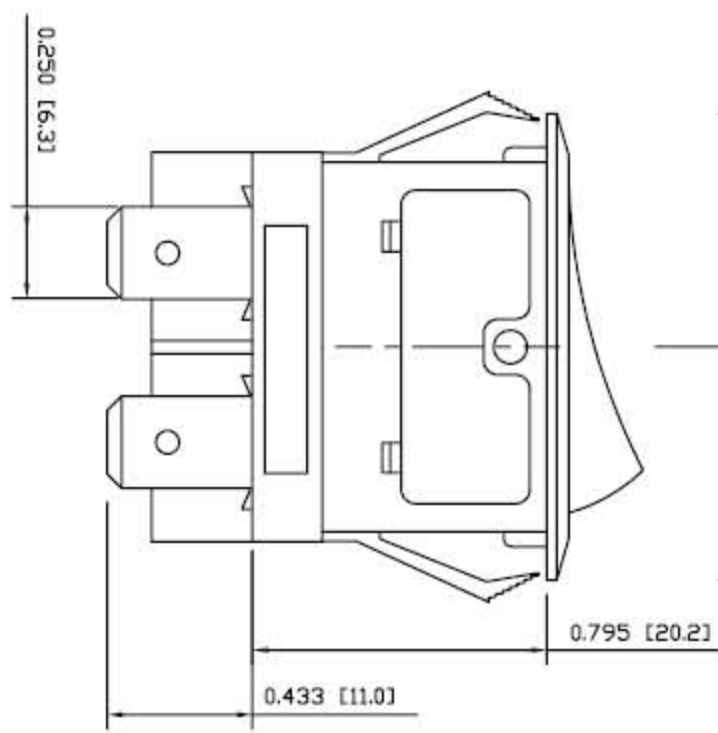
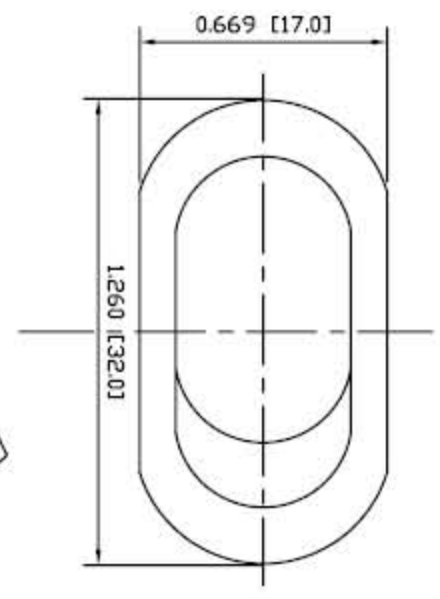
MATERIAL:

BODY:
 Nylon 103HSL

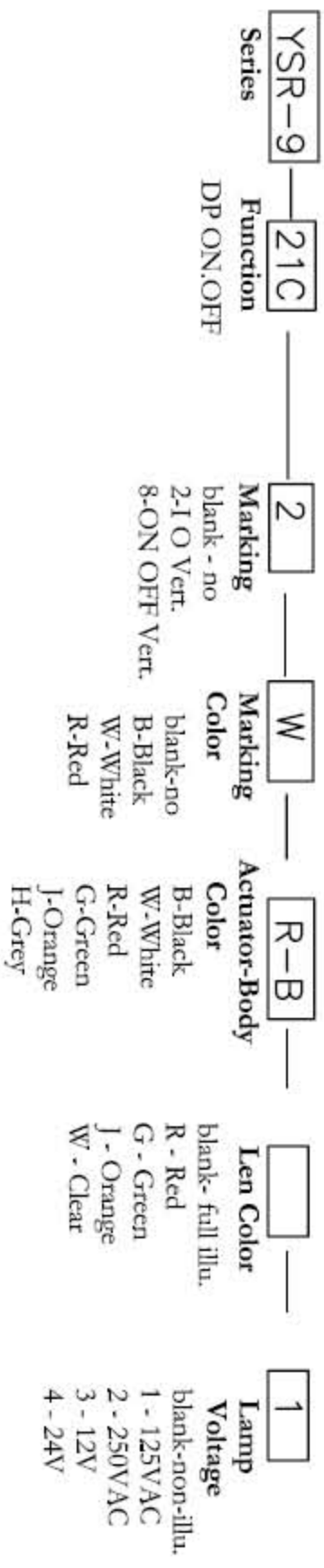
ACTUATOR:
 Nylon 103HSL, PC for illuminated len

CONTACTS:
 Ag/Cu

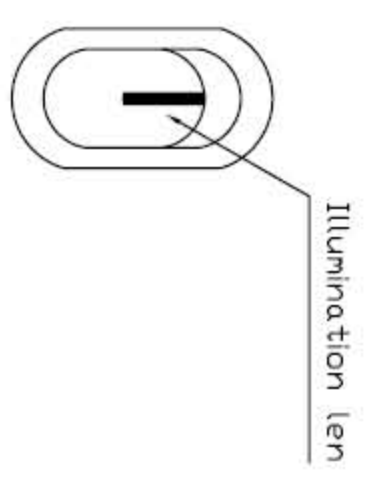
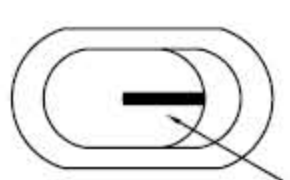
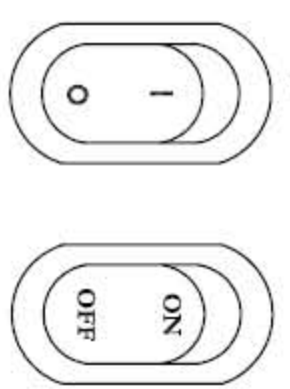
TERMINALS:
 Silver Plated Brass



How to Order:



Marking Option:



PHASEDA LLC

YSR-9 series

SPECIFICATION SUBJECT TO CHANGE WITHOUT PRIOR NOTICE DIMENSIONS ARE IN INCHES [MILLIMETERS] TOLERANCES: DEC. X±0.2 DRAWING NOT TO SCALE DATE: JAN 2007

8 7 6 5 4 3 2 1

D

C

B

A