

8 7 6 5 4 3 2 1

A

SPECIFICATIONS

RATINGS:

20A 125VAC, 16A 250VAC UL, cUL
 1/2HP 125VAC 105°C UL, cUL

16(6)A 250V~ VDE
 10(4)A 250V~ VDE

CONTACT RESISTANCE:
 35mΩ Max.

INSULATION RESISTANCE:
 100MΩ at 500VDC

WITHSTAND VOLTAGE:
 2,000VAC For 1 Minute

ELECTRICAL LIFE:
 >10,000 Cycles

B

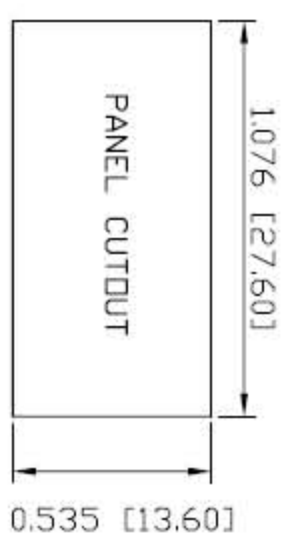
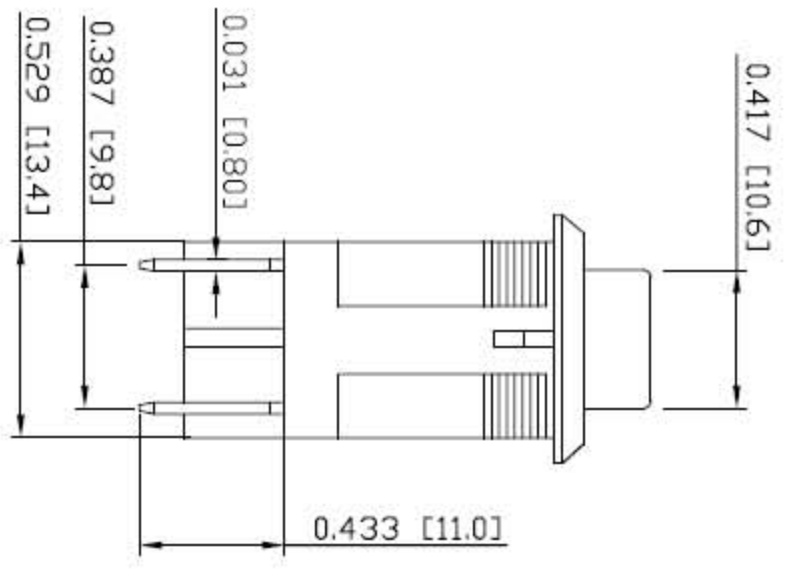
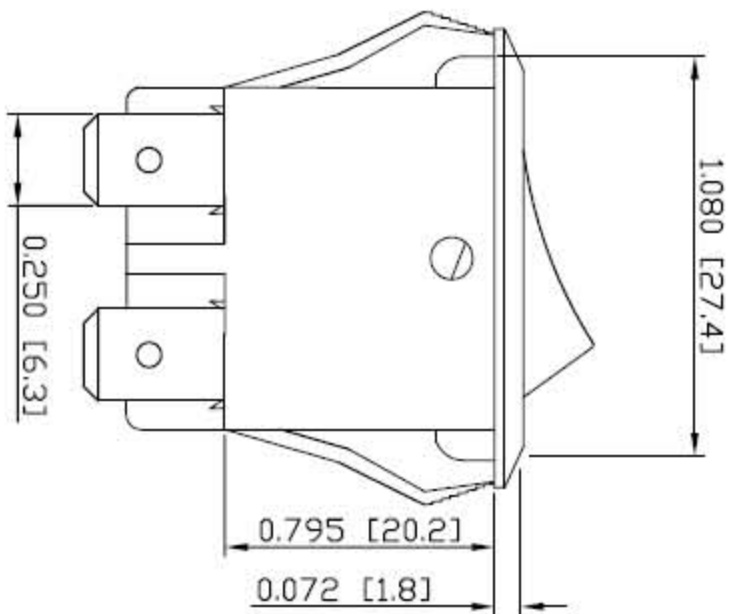
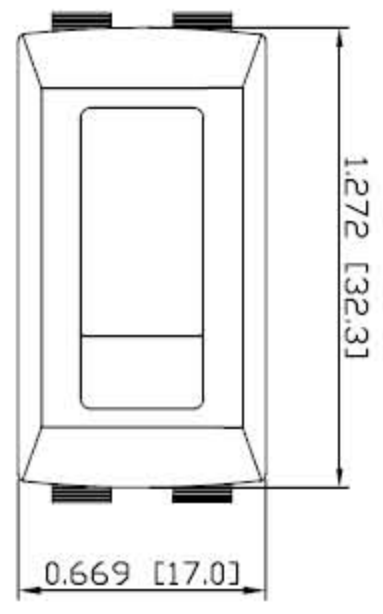
MATERIAL:

BODY:
 Nylon 103HSL

ACTUATOR:
 Nylon 103HSL, PC for illuminated len

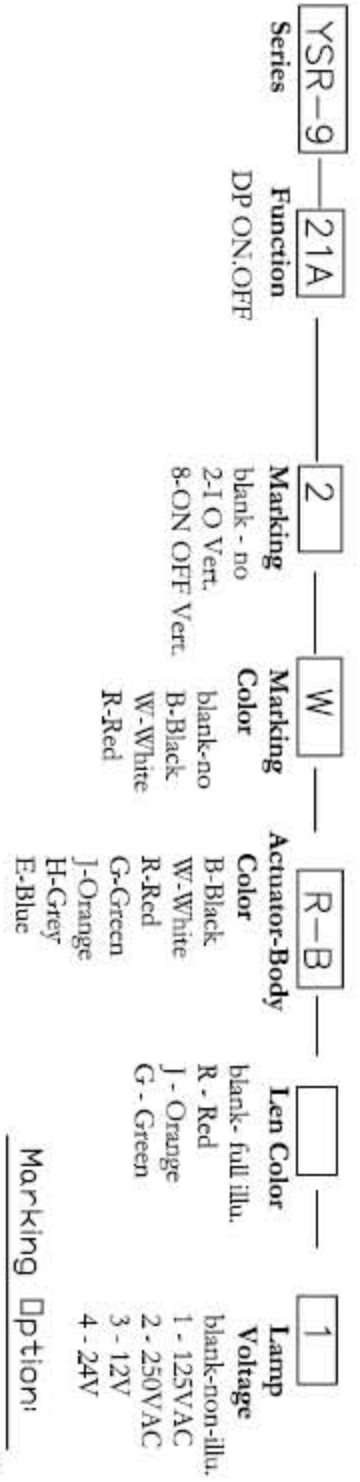
CONTACTS:

Ag/Cu
 TERMINALS:
 Silver Plated Brass



Panel Thickness: 0.039~0.138 [1.00~3.50]

How to Order:



Marking: blank - no, 2-1 O Vert., 8-ON OFF Vert.

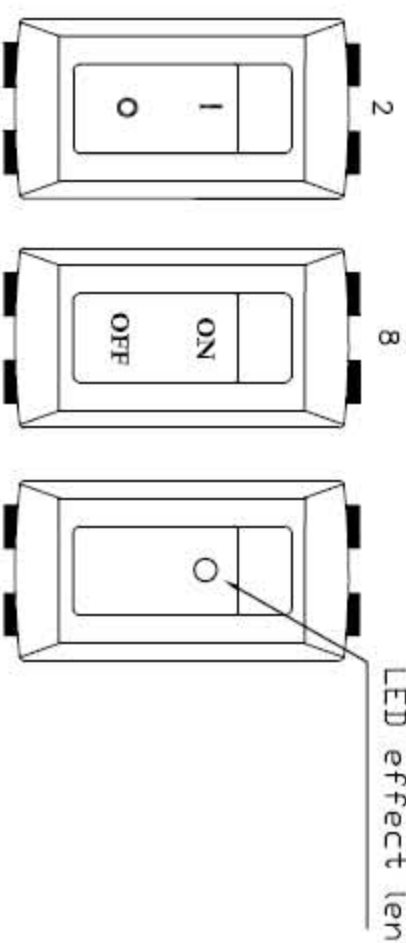
Marking Color: blank-no, B-Black, W-White, R-Red

Actuator-Body Color: B-Black, W-White, R-Red, G-Green, J-Orange, H-Grey, E-Blue

Len Color: blank- full illu., R- Red, J- Orange, G- Green

Lamp Voltage: blank-non-illu., 1 - 125VAC, 2 - 250VAC, 3 - 12V, 4 - 24V

Marking Option:



PHASEDA LLC

YSR-9 series

SPECIFICATION SUBJECT TO CHANGE WITHOUT PRIOR NOTICE

DIMENSIONS ARE IN INCHES [MILLIMETERS]

TOLERANCES: DEC. X±0.2

DRAWING NOT TO SCALE

DATE: JAN 2007

8 7 6 5 4 3 2 1

D

C

B

A