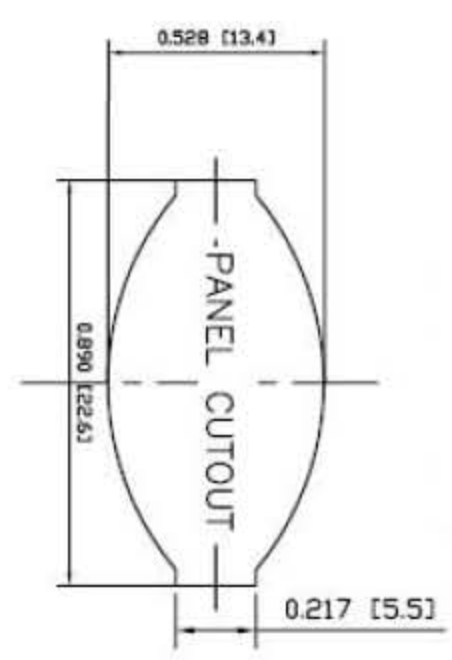
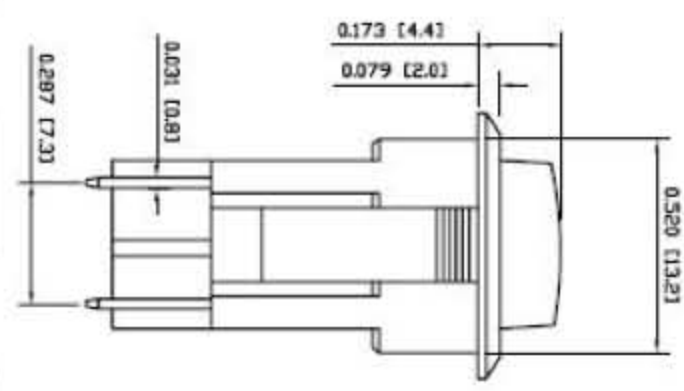
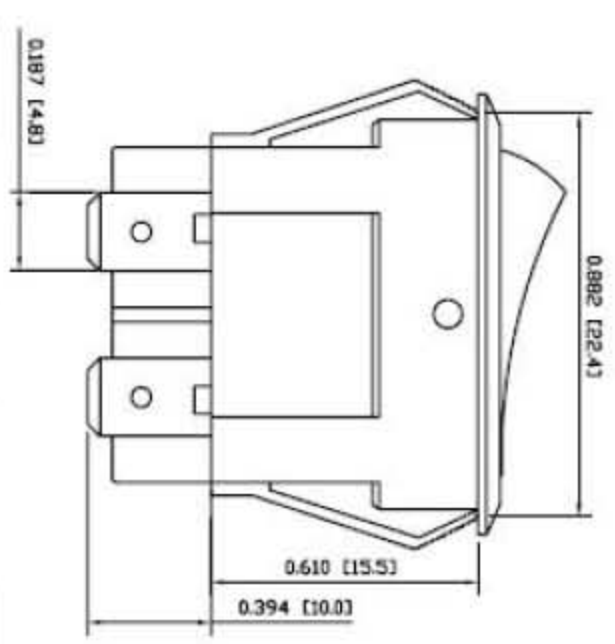
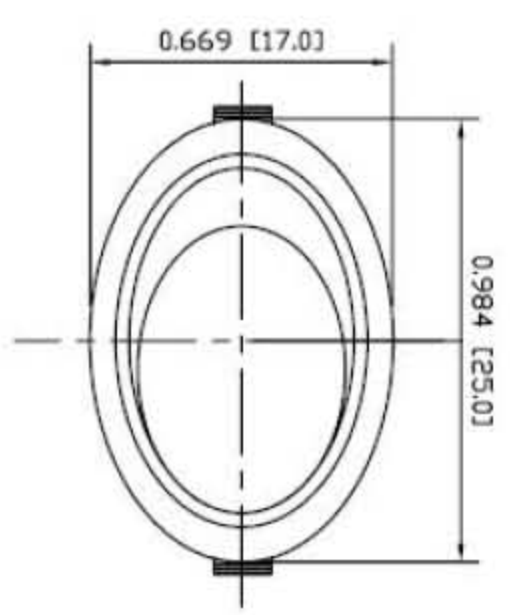


8 7 6 5 4 3 2 1

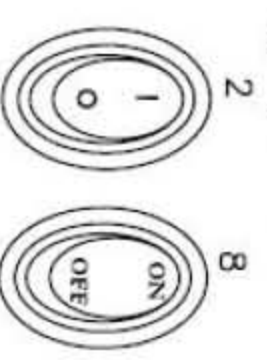
SPECIFICATIONS
RATINGS:
 16A 125/250VAC UL, cUL
 1/2HP 125VAC 105°C UL, cUL
 10A 125VAC, 5A 250VAC 105°C UL, cUL

CONTACT RESISTANCE:
 35mΩ Max.
INSULATION RESISTANCE:
 100MΩ at 500VDC
WITHSTAND VOLTAGE:
 2,000VAC For 1 Minute
ELECTRICAL LIFE:
 >10,000 Cycles

MATERIAL:
BODY:
 Nylon 103HSL
ACTUATOR:
 Nylon 103HSL, PC for illuminated len
CONTACTS:
 Ag/Cu
TERMINALS:
 Silver Plated Brass



Series	YSR-34	Function	21 - DP ON.OFF 11 - SP ON.OFF	Rating	E rating: 16A 125VAC	Marking	2 - blank - no 2-1 O Vert. 8-ON OFF Vert.	Marking Color	W - blank-no B-Black R-Red	Actuator-Body Color	R-Black W-White R-Red G-Green J-Orange H-Grey	Len Style	blank-full illu. R - LED effect red len G - LED effect green len W - LED effect clear len Y - LED effect orange len	Lamp Voltage	1 - blank-non-illu. 1 - 125VAC 2 - 250VAC 3 - 12V 4 - 24V
---------------	--------	-----------------	----------------------------------	---------------	-------------------------	----------------	---	----------------------	----------------------------------	----------------------------	--	------------------	---	---------------------	---



PHASEDA LLC

YSR-34 series

8 7 6 5 4 3 2 1

SPECIFICATION SUBJECT TO CHANGE WITHOUT PRIOR NOTICE
 DIMENSIONS ARE IN INCHES [MILLIMETERS]
 TOLERANCES: DEC .X±0.2 DRAWING NOT TO SCALE DATE: JAN 2007