

**SPECIFICATIONS**

**FUNCTION:**  
1P1T OFF-(ON)

**RATINGS:**  
50mA 12VDC

**OPERATING FORCE:**  
170±30gf

**TRAVEL:**  
0.010±0.004 [0.25±0.1]

**CONTACT RESISTANCE:**  
50mΩ Max. at 10mA 5VDC

**INSULATION RESISTANCE:**  
100MΩ at 100VDC

**WITHSTAND VOLTAGE:**  
250VAC For 1 Minute

**ELECTRICAL LIFE:**  
100,000 Cycles

**TEMPERATURE:**  
Operation: -15°C to 60°C  
Storage: -30°C to 80°C

**SOLDERING:**  
Wave soldering: 260°C Max. for less than 5 seconds  
Hand soldering: 30watt iron Max. at 320°C for approx. 2 seconds  
Solvent washing: non-washable

**CASE:** Thermoplastic, PA66

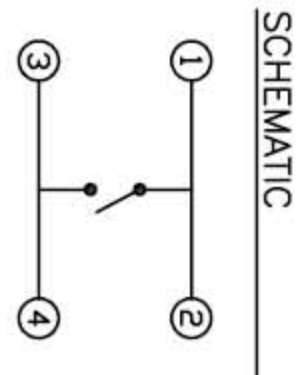
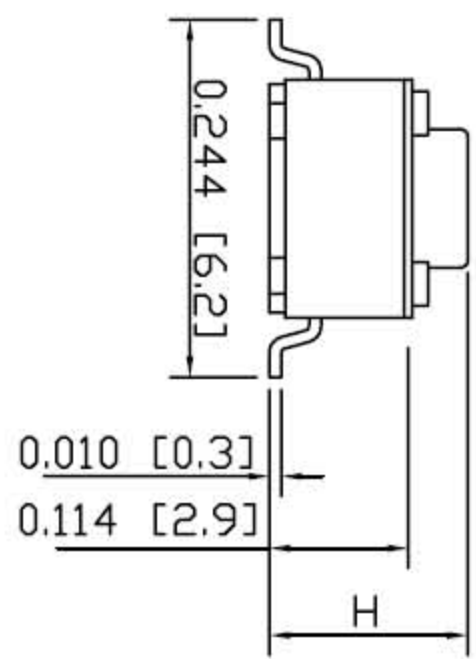
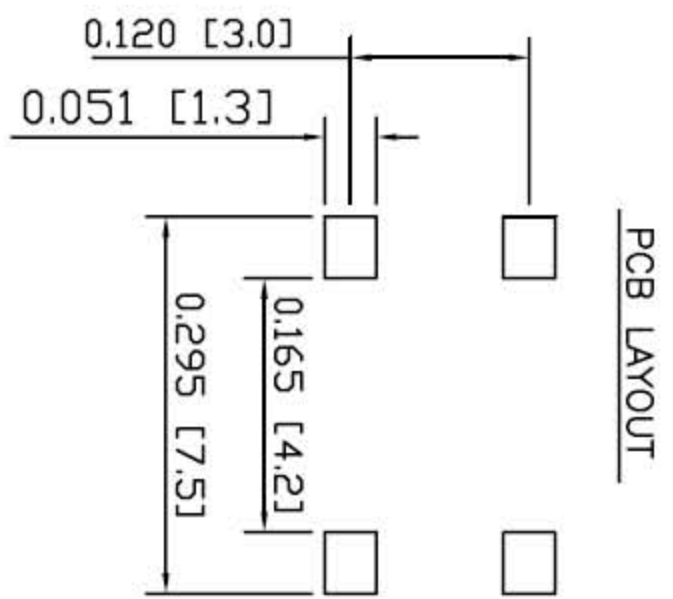
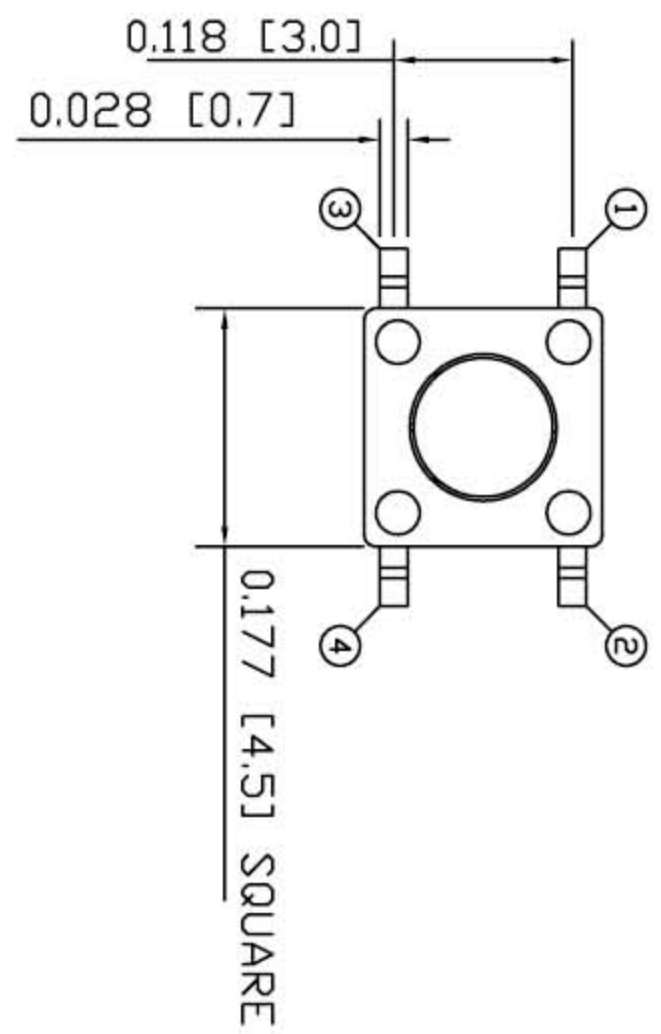
**COVER:** Steel

**ACTUATOR:** Thermoplastic, PA66

**CONTACTS:** Silver Plated Brass

**TERMINALS:** Silver Plated Brass

Bulk packing



How to Order:



Height  
38 - 0.150 [3.8]  
45 - 0.177 [4.5]

Button Color  
B - Black  
R - Red  
W - White  
H - Grey



PHASEDA LLC

TS4 series

SPECIFICATION SUBJECT TO CHANGE WITHOUT PRIOR NOTICE

DIMENSIONS ARE IN INCHES [MILLIMETERS]

TOLERANCES: DEC. X±0.2

DRAWING NOT TO SCALE

DATE: JAN 2007

8

7

6

5

4

3

2

1

8

7

6

5

4

3

2

1

D

C

B

A