

8 7 6 5 4 3 2 1

A

SPECIFICATIONS

FUNCTION:
1P1T OFF-(ON)

RATINGS:
50mA 12VDC

OPERATING FORCE:
170±30gf

TRAVEL:
0.010±0.004 [0.25±0.1]

CONTACT RESISTANCE:
50mΩ Max. at 10mA 5VDC

INSULATION RESISTANCE:
100MΩ at 100VDC

WITHSTAND VOLTAGE:
250VAC For 1 Minute

ELECTRICAL LIFE:
100,000 Cycles

TEMPERATURE:
Operation: -15°C to 60°C
Storage: -30°C to 80°C

SOLDERING:
Wave soldering: 260°C Max. for less than 5 seconds
Hand soldering: 30watt iron Max. at 320°C for approx. 2 seconds
Solvent washing: non-washable

CASE: Thermoplastic, PA66

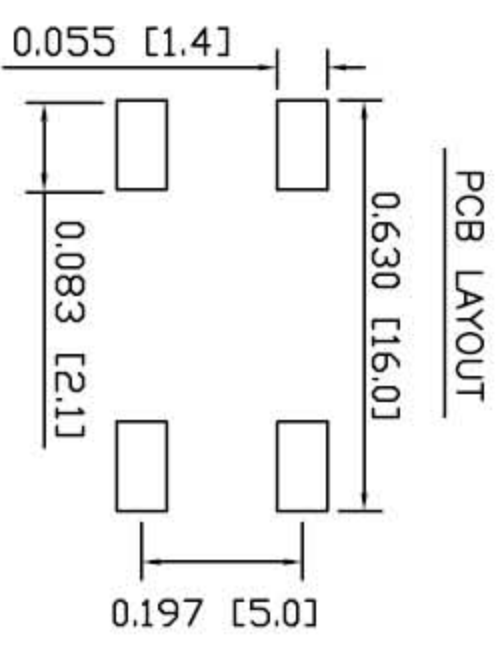
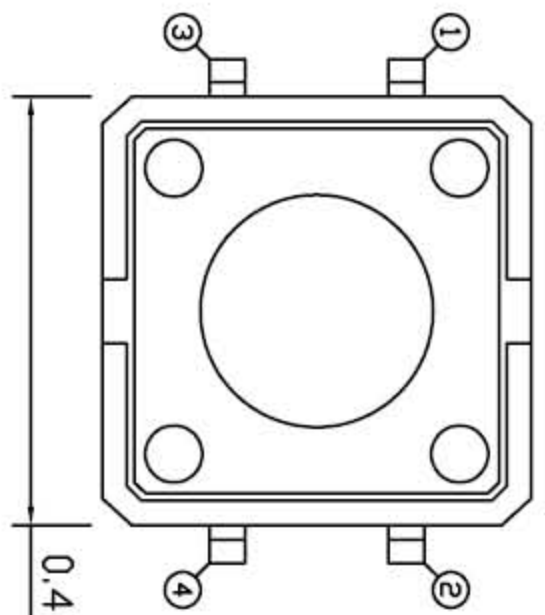
COVER: Steel

ACTUATOR: Thermoplastic, PA66

CONTACTS: Silver Plated Brass

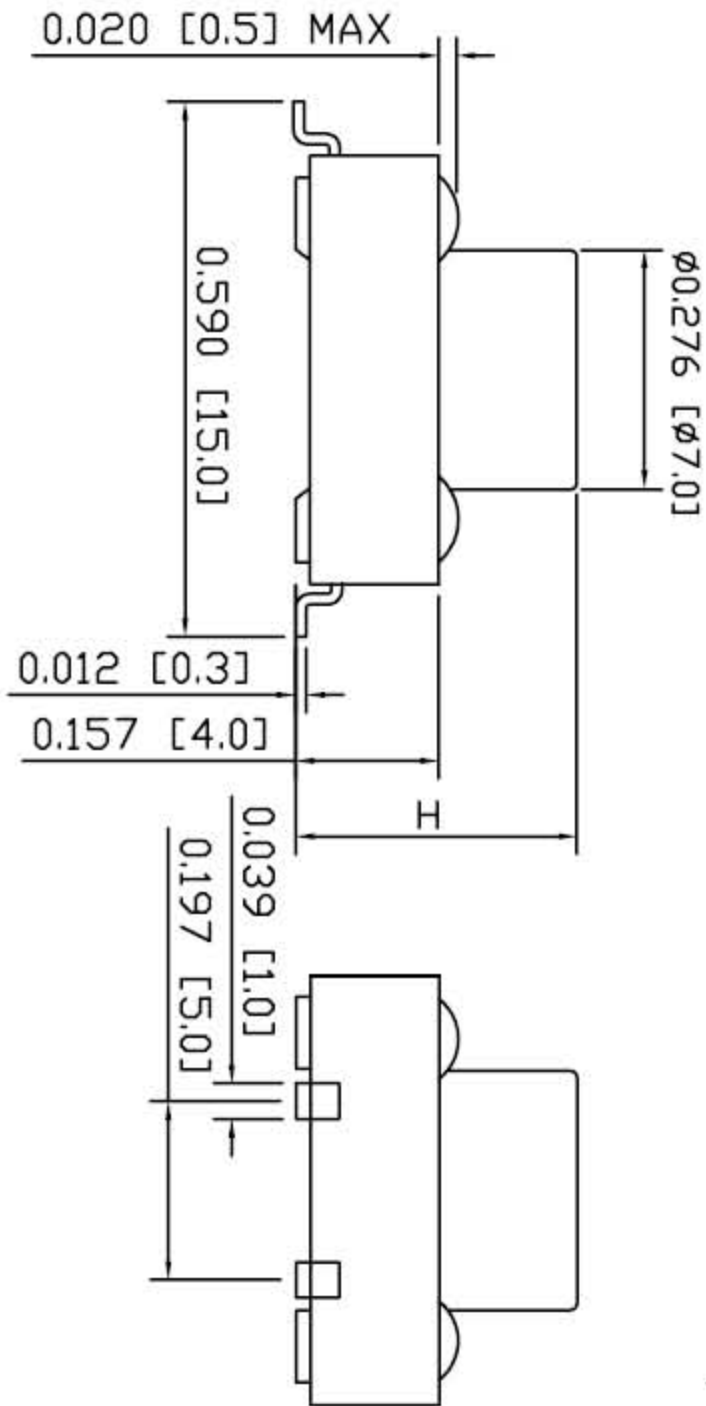
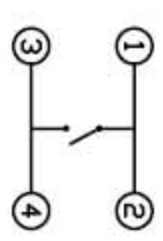
TERMINALS: Silver Plated Brass

Bulk packing



B

SCHEMATIC



How to Order:



Height	Button Color
43- 0.169 [4.3]	B - Black
50- 0.197 [5.0]	R - Red
75- 0.295 [7.5]	W - White
80- 0.315 [8.0]	H - Grey
12- 0.472 [12.0]	



PHASEDA LLC

TS12 series

SPECIFICATION SUBJECT TO CHANGE WITHOUT PRIOR NOTICE

DIMENSIONS ARE IN INCHES [MILLIMETERS]

TOLERANCES: DEC .X±0.2

DRAWING NOT TO SCALE

DATE: JAN 2007

8 7 6 5 4 3 2 1

D

C

B

A