

8 7 6 5 4 3 2 1

A

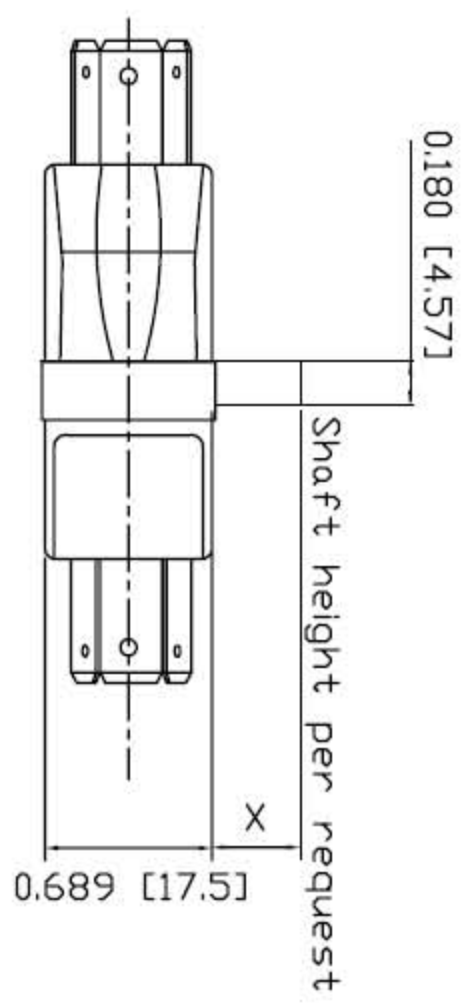
SPECIFICATIONS

RATINGS:
 16A 125VAC 105°C UL, cUL
 16A 250V~ T125 1E4 VDE

CONTACT RESISTANCE:
 35mΩ Max.

INSULATION RESISTANCE:
 100MΩ Min.

DIELECTRIC STRENGTH:
 1,500VAC for 1 Minute

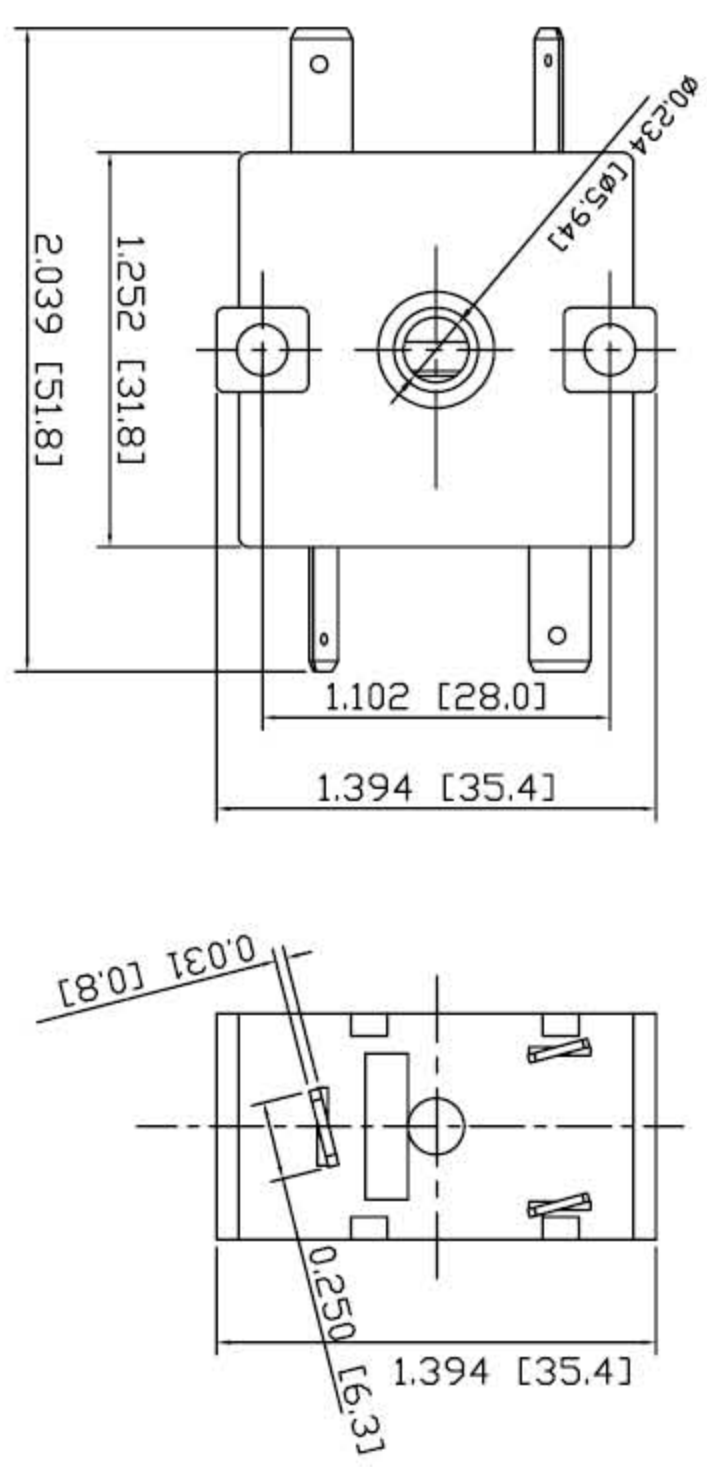


B

MATERIAL:
 BODY: PA66

CONTACTS: AgSnO2In2O3 (Silver Alloy)

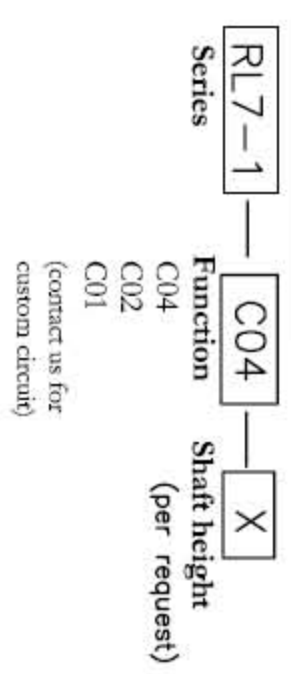
TERMINALS: Silver Plated Copper



C

Circuit Options: (30 degrees between position)
 (contact factory for custom circuit request)

How to Order:



		Circuit C04				Circuit C02				Circuit C01													
		CONTACTS		POSITIONS		CONTACTS		POSITIONS		CONTACTS		POSITIONS											
A	1	○	○	1	○	○	○	○	1	○	○	○	○	1	○	○	○	○	1	○	○	○	○
A	2	○	○	2	○	○	○	○	2	○	○	○	○	2	○	○	○	○	2	○	○	○	○
B	3	○	○	3	○	○	○	○	3	○	○	○	○	3	○	○	○	○	3	○	○	○	○
B	4	○	○	4	○	○	○	○	4	○	○	○	○	4	○	○	○	○	4	○	○	○	○



PHASEDA LLC RL7-1 series

SPECIFICATION SUBJECT TO CHANGE WITHOUT PRIOR NOTICE DIMENSIONS ARE IN INCHES [MILLIMETERS] TOLERANCES: DEC X±0.2 DRAWING NOT TO SCALE DATE: JAN 2007

8 7 6 5 4 3 2 1

A

B

C

D