

8 7 6 5 4 3 2 1

A

SPECIFICATIONS

SPST (ON) OFF

RATINGS:

6A 125-250VAC 85°C UL,cUL

10(2)A 250V~ 185 1E4 VDE

6(4)A 250V~ VDE

CONTACT RESISTANCE:

35mΩ Max.

INSULATION RESISTANCE:

100MΩ at 500VDC

WITHSTAND VOLTAGE:

1,500VAC For 1 Minute

ELECTRICAL LIFE:

>10,000 Cycles

MATERIAL:

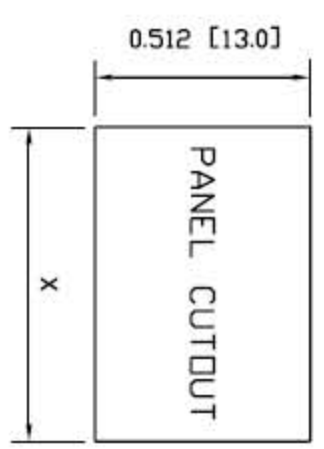
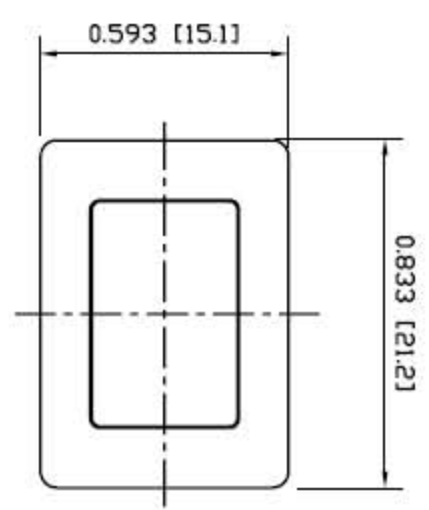
BODY: PA66

ACTUATOR: PA66

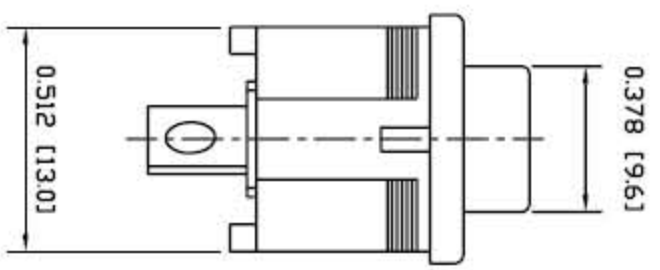
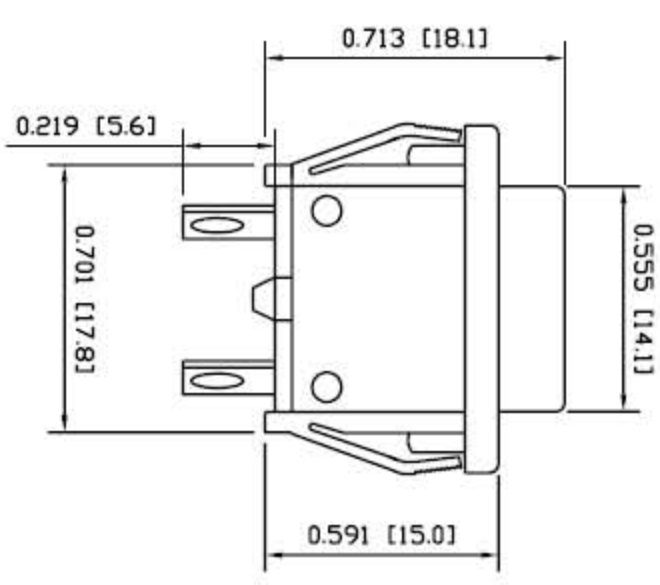
CONTACTS: AgSnO2In2O3 (Silver Alloy)

TERMINALS:

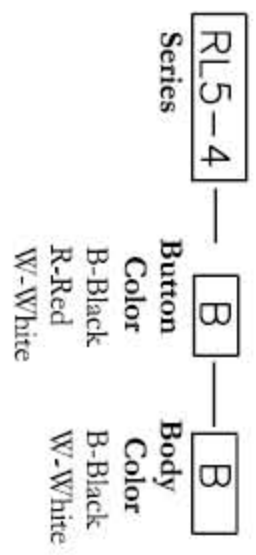
Silver Plated Copper



| PANEL THICKNESS | X |
|-------------------------|--------------|
| 0.030~0.049 [0.75~1.25] | 0.756 [19.2] |
| 0.049~0.079 [1.25~2.00] | 0.764 [19.4] |
| 0.079~0.118 [2.00~3.00] | 0.772 [19.6] |



How to Order:



PHASEDA LLC

RL5-4 series

SPECIFICATION SUBJECT TO CHANGE WITHOUT PRIOR NOTICE

DIMENSIONS ARE IN INCHES [MILLIMETERS]

TOLERANCES: DEC .X±0.2

DRAWING NOT TO SCALE

DATE: JAN 2007

8 7 6 5 4 3 2 1

D

C

B

A