

SPECIFICATIONS

RATINGS:

16A 125VAC, 10A 250VAC UL, cUL
 1/3A 125-250VAC 105°C UL, cUL
 10(4)A 250V~ 1E4 T125 VDE

10A 125VAC UL, cUL
 6(2)A 250V~ 1E4 T125 VDE

CONTACT RESISTANCE:
 35mΩ Max 50VDC

INSULATION RESISTANCE:
 100MΩ at 500VDC Min.

WITHSTAND VOLTAGE:
 1,500VAC For 1 Minute

ELECTRICAL LIFE:
 >10,000 Cycles

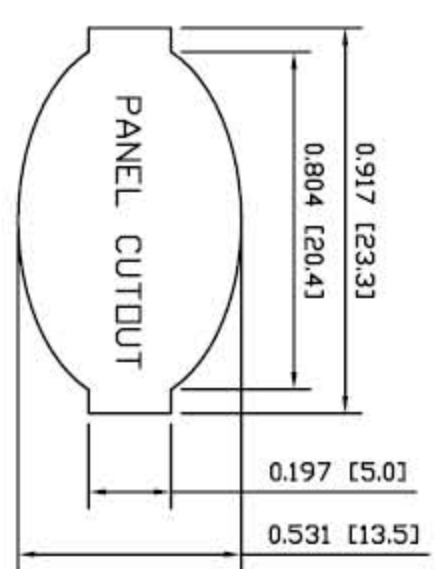
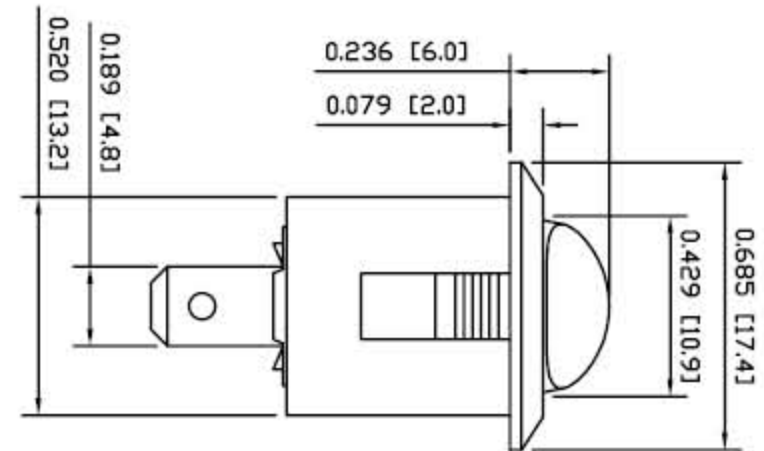
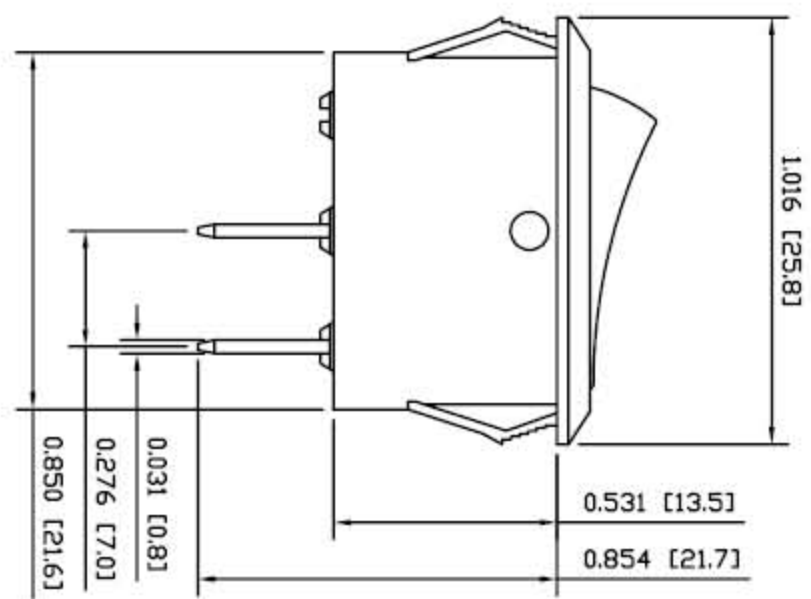
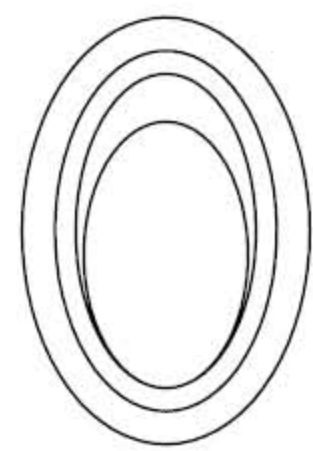
MATERIALS

BODY:
 PA66

ACTUATOR:
 PA66, PC for illuminated rocker

CONTACT:
 Silver Alloy

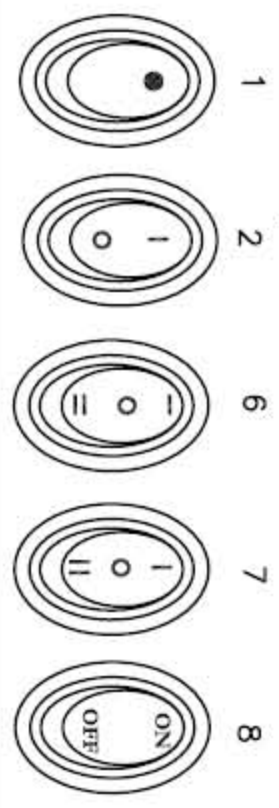
TERMINALS:
 Silver Plated Copper



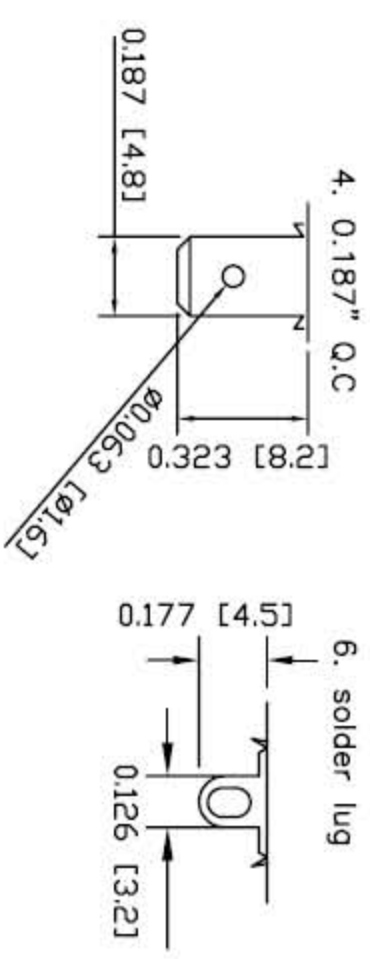
How to Order:

RL3-6	1	H	2	W	R-B	4	1
Series	Function	Rating	Marking	Marking Color	Actuator-Body Color	Terminal	Lamp Voltage
	1-ON, OFF 2-ON, ON 3-ON, OFF, ON	H rating: 16A 125VAC, 10A 250VAC 1/3HP 125-250VAC UL, cUL 10(4)A 250V~ VDE	blank - no 1-Dot 2-1 O Vert. 6-1 O II Horiz. 7-1 O II Verto. 8-ON OFF Vert.	blank-no B-Black W-White R-Red	B-Black W-White R-Red G-Green J-Orange H-Grey	4-0.187" Q.C 6-solder lug	blank-non-illu. 1 - 125VAC 2 - 250VAC 3 - 12V 4 - 24V

Marking Option:



Terminal Option:



PHASEDA LLC

RL3-6 series

8 7 6 5 4 3 2 1

SPECIFICATION SUBJECT TO CHANGE WITHOUT PRIOR NOTICE

DIMENSIONS ARE IN INCHES [MILLIMETERS]

TOLERANCES: DEC. X±0.2

DRAWING NOT TO SCALE

DATE: JAN 2007

8 7 6 5 4 3 2 1

PHASEDA LLC

RL3-6 series

8 7 6 5 4 3 2 1

SPECIFICATION SUBJECT TO CHANGE WITHOUT PRIOR NOTICE

DIMENSIONS ARE IN INCHES [MILLIMETERS]

TOLERANCES: DEC. X±0.2

DRAWING NOT TO SCALE

DATE: JAN 2007

8 7 6 5 4 3 2 1

PHASEDA LLC

RL3-6 series

8 7 6 5 4 3 2 1

SPECIFICATION SUBJECT TO CHANGE WITHOUT PRIOR NOTICE

DIMENSIONS ARE IN INCHES [MILLIMETERS]

TOLERANCES: DEC. X±0.2

DRAWING NOT TO SCALE

DATE: JAN 2007

8 7 6 5 4 3 2 1

PHASEDA LLC

RL3-6 series

8 7 6 5 4 3 2 1

SPECIFICATION SUBJECT TO CHANGE WITHOUT PRIOR NOTICE

DIMENSIONS ARE IN INCHES [MILLIMETERS]

TOLERANCES: DEC. X±0.2

DRAWING NOT TO SCALE

DATE: JAN 2007

8 7 6 5 4 3 2 1

PHASEDA LLC

RL3-6 series

8 7 6 5 4 3 2 1

SPECIFICATION SUBJECT TO CHANGE WITHOUT PRIOR NOTICE

DIMENSIONS ARE IN INCHES [MILLIMETERS]

TOLERANCES: DEC. X±0.2

DRAWING NOT TO SCALE

DATE: JAN 2007

8 7 6 5 4 3 2 1

PHASEDA LLC

RL3-6 series

8 7 6 5 4 3 2 1

SPECIFICATION SUBJECT TO CHANGE WITHOUT PRIOR NOTICE

DIMENSIONS ARE IN INCHES [MILLIMETERS]

TOLERANCES: DEC. X±0.2

DRAWING NOT TO SCALE

DATE: JAN 2007

8 7 6 5 4 3 2 1

PHASEDA LLC

RL3-6 series

8 7 6 5 4 3 2 1

SPECIFICATION SUBJECT TO CHANGE WITHOUT PRIOR NOTICE

DIMENSIONS ARE IN INCHES [MILLIMETERS]

TOLERANCES: DEC. X±0.2

DRAWING NOT TO SCALE

DATE: JAN 2007

8 7 6 5 4 3 2 1

PHASEDA LLC

RL3-6 series

8 7 6 5 4 3 2 1

SPECIFICATION SUBJECT TO CHANGE WITHOUT PRIOR NOTICE

DIMENSIONS ARE IN INCHES [MILLIMETERS]

TOLERANCES: DEC. X±0.2

DRAWING NOT TO SCALE

DATE: JAN 2007

8 7 6 5 4 3 2 1

PHASEDA LLC

RL3-6 series

8 7 6 5 4 3 2 1

SPECIFICATION SUBJECT TO CHANGE WITHOUT PRIOR NOTICE

DIMENSIONS ARE IN INCHES [MILLIMETERS]

TOLERANCES: DEC. X±0.2

DRAWING NOT TO SCALE

DATE: JAN 2007

8 7 6 5 4 3 2 1

PHASEDA LLC

RL3-6 series

8 7 6 5 4 3 2 1

SPECIFICATION SUBJECT TO CHANGE WITHOUT PRIOR NOTICE

DIMENSIONS ARE IN INCHES [MILLIMETERS]

TOLERANCES: DEC. X±0.2

DRAWING NOT TO SCALE

DATE: JAN 2007

8 7 6 5 4 3 2 1

PHASEDA LLC

RL3-6 series

8 7 6 5 4 3 2 1

SPECIFICATION SUBJECT TO CHANGE WITHOUT PRIOR NOTICE

DIMENSIONS ARE IN INCHES [MILLIMETERS]

TOLERANCES: DEC. X±0.2

DRAWING NOT TO SCALE

DATE: JAN 2007

8 7 6 5 4 3 2 1

PHASEDA LLC

RL3-6 series

8 7 6 5 4 3 2 1

SPECIFICATION SUBJECT TO CHANGE WITHOUT PRIOR NOTICE

DIMENSIONS ARE IN INCHES [MILLIMETERS]

TOLERANCES: DEC. X±0.2

DRAWING NOT TO SCALE

DATE: JAN 2007

8 7 6 5 4 3 2 1

PHASEDA LLC

RL3-6 series

8 7 6 5 4 3 2 1

SPECIFICATION SUBJECT TO CHANGE WITHOUT PRIOR NOTICE

DIMENSIONS ARE IN INCHES [MILLIMETERS]

TOLERANCES: DEC. X±0.2

DRAWING NOT TO SCALE

DATE: JAN 2007

8 7 6 5 4 3 2 1

PHASEDA LLC

RL3-6 series

8 7 6 5 4 3 2 1

SPECIFICATION SUBJECT TO CHANGE WITHOUT PRIOR NOTICE

DIMENSIONS ARE IN INCHES [MILLIMETERS]

TOLERANCES: DEC. X±0.2

DRAWING NOT TO SCALE

DATE: JAN 2007

8 7 6 5 4 3 2 1

PHASEDA LLC

RL3-6 series

8 7 6 5 4 3 2 1

SPECIFICATION SUBJECT TO CHANGE WITHOUT PRIOR NOTICE

DIMENSIONS ARE IN INCHES [MILLIMETERS]

TOLERANCES: DEC. X±0.2

DRAWING NOT TO SCALE

DATE: JAN 2007

8 7 6 5 4 3 2 1

PHASEDA LLC

RL3-6 series

8 7 6 5 4 3 2 1

SPECIFICATION SUBJECT TO CHANGE WITHOUT PRIOR NOTICE

DIMENSIONS ARE IN INCHES [MILLIMETERS]

TOLERANCES: DEC. X±0.2

DRAWING NOT TO SCALE

DATE: JAN 2007

8 7 6 5 4 3 2 1

PHASEDA LLC

RL3-6 series

8 7 6 5 4 3 2 1

SPECIFICATION SUBJECT TO CHANGE WITHOUT PRIOR NOTICE

DIMENSIONS ARE IN INCHES [MILLIMETERS]

TOLERANCES: DEC. X±0.2

DRAWING NOT TO SCALE

DATE: JAN 2007

8 7 6 5 4 3 2 1

PHASEDA LLC

RL3-6 series

8 7 6 5 4 3 2 1

SPECIFICATION SUBJECT TO CHANGE WITHOUT PRIOR NOTICE

DIMENSIONS ARE IN INCHES [MILLIMETERS]

TOLERANCES: DEC. X±0.2

DRAWING NOT TO SCALE

DATE: JAN 2007

8 7 6 5 4 3 2 1

PHASEDA LLC

RL3-6 series

8 7 6 5 4 3 2 1

SPECIFICATION SUBJECT TO CHANGE WITHOUT PRIOR NOTICE

DIMENSIONS ARE IN INCHES [MILLIMETERS]

TOLERANCES: DEC. X±0.2

DRAWING NOT TO SCALE

DATE: JAN 2007

8 7 6 5 4 3 2 1

PHASEDA LLC

RL3-6 series

8 7 6 5 4 3 2 1

SPECIFICATION SUBJECT TO CHANGE WITHOUT PRIOR NOTICE

DIMENSIONS ARE IN INCHES [MILLIMETERS]

TOLERANCES: DEC. X±0.2

DRAWING NOT TO SCALE

DATE: JAN 2007

8 7 6 5 4 3 2 1

PHASEDA LLC

RL3-6 series

8 7 6 5 4 3 2 1

SPECIFICATION SUBJECT TO CHANGE WITHOUT PRIOR NOTICE

DIMENSIONS ARE IN INCHES [MILLIMETERS]

TOLERANCES: DEC. X±0.2

DRAWING NOT TO SCALE

DATE: JAN 2007

8 7 6 5 4 3 2 1

PHASEDA LLC

RL3-6 series

8 7 6 5 4 3 2 1

SPECIFICATION SUBJECT TO CHANGE WITHOUT PRIOR NOTICE

DIMENSIONS ARE IN INCHES [MILLIMETERS]

TOLERANCES: DEC. X±0.2

DRAWING NOT TO SCALE

DATE: JAN 2007

8 7 6 5 4 3 2 1

PHASEDA LLC

RL3-6 series

8 7 6 5 4 3 2 1

SPECIFICATION SUBJECT TO CHANGE WITHOUT PRIOR NOTICE

DIMENSIONS ARE IN INCHES [MILLIMETERS]

TOLERANCES: DEC. X±0.2

DRAWING NOT TO SCALE

DATE: JAN 2007

8 7 6 5 4 3 2 1

PHASEDA LLC

RL3-6 series

8 7 6 5 4 3 2 1

SPECIFICATION SUBJECT TO CHANGE WITHOUT PRIOR NOTICE

DIMENSIONS ARE IN INCHES [MILLIMETERS]

TOLERANCES: DEC. X±0.2

DRAWING NOT TO SCALE

DATE: JAN 2007

8 7 6 5 4 3 2 1

PHASEDA LLC

RL3-6 series

8 7 6 5 4 3 2 1

SPECIFICATION SUBJECT TO CHANGE WITHOUT PRIOR NOTICE

DIMENSIONS ARE IN INCHES [MILLIMETERS]

TOLERANCES: DEC. X±0.2

DRAWING NOT TO SCALE

DATE: JAN 2007

8 7 6 5 4 3 2 1