

8 7 6 5 4 3 2 1

A SPECIFICATIONS

RATINGS:
 10A 125VAC UL,cUL
 6(2)A 250VAC 1E4 T125 VDE
 CONTACT RESISTANCE:
 35mΩ Max.

INSULATION RESISTANCE:
 100MΩ at 500VDC

WITHSTAND VOLTAGE:
 1,500VAC For 1 Minute

ELECTRICAL LIFE:
 >10,000 Cycles

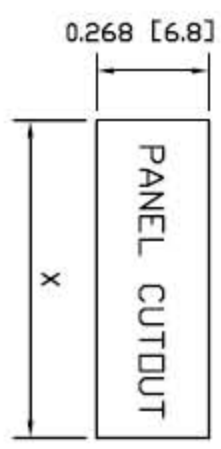
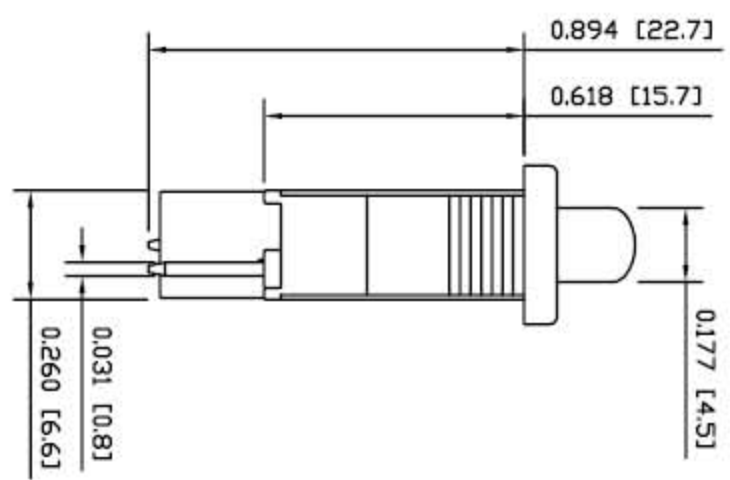
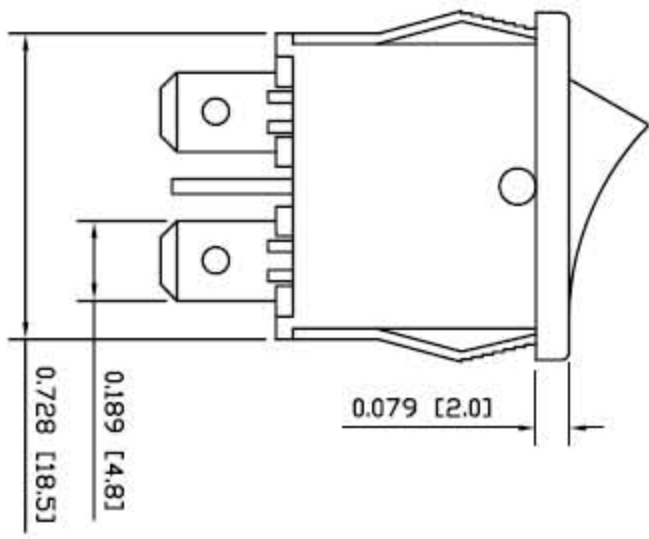
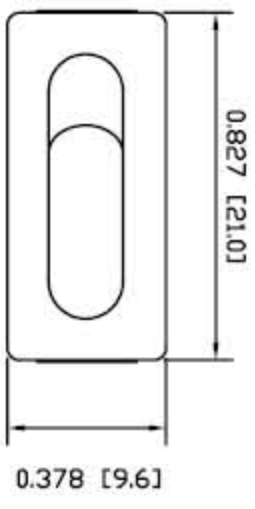
MATERIAL:

BODY: PA66

ACTUATOR: PA66

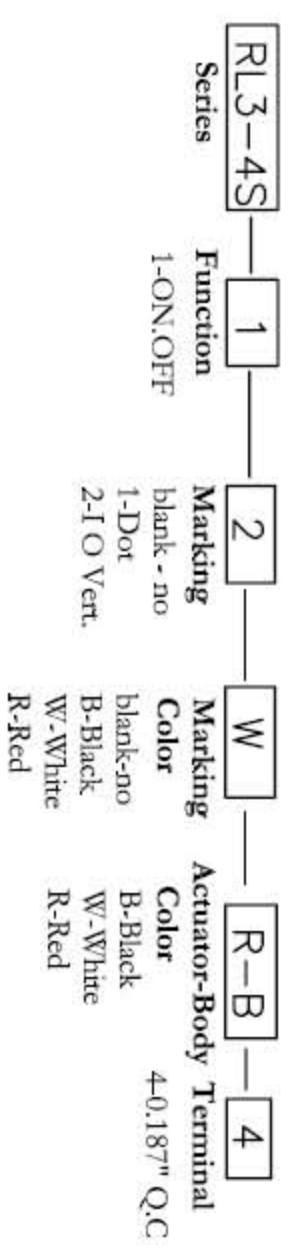
CONTACTS: Silver Alloy

TERMINALS: Silver Plated Copper

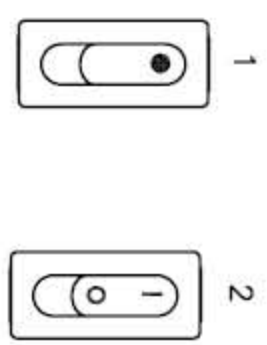


PANEL THICKNESS	X
0.030~0.049 [0.75~1.25]	0.756 [19.2]
0.049~0.079 [1.25~2.00]	0.764 [19.4]
0.079~0.118 [2.00~3.00]	0.772 [19.6]

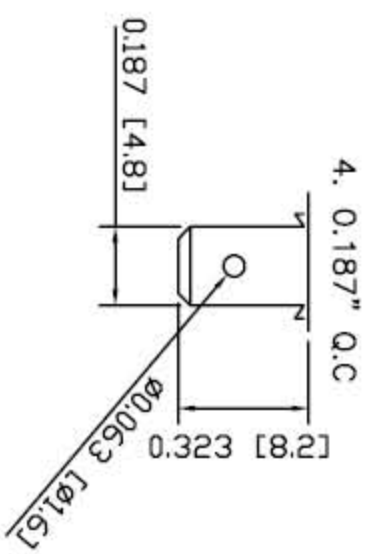
B How to Order:



C Marking Option:



D Terminal Option:



PHASEDA LLC

RL3-4S series

SPECIFICATION SUBJECT TO CHANGE WITHOUT PRIOR NOTICE
 DIMENSIONS ARE IN INCHES [MILLIMETERS]
 TOLERANCES: DEC. X±0.2 DRAWING NOT TO SCALE DATE: JAN 2007

8 7 6 5 4 3 2 1

D

C

B

A