

**SPECIFICATIONS**

**RATINGS:**

16A 125VAC, 10A 250VAC UL, cUL  
 1/3A 125-250VAC 105°C UL, cUL  
 10(4)A 250V~ 1E4 T125 VDE

10A 125VAC UL, cUL  
 6(2)A 250V~ 1E4 T125 VDE

**CONTACT RESISTANCE:**  
 35mΩ Max 50VDC

**INSULATION RESISTANCE:**  
 100MΩ at 500VDC Min.

**WITHSTAND VOLTAGE:**  
 1,500VAC For 1 Minute

**ELECTRICAL LIFE:**  
 >10,000 Cycles

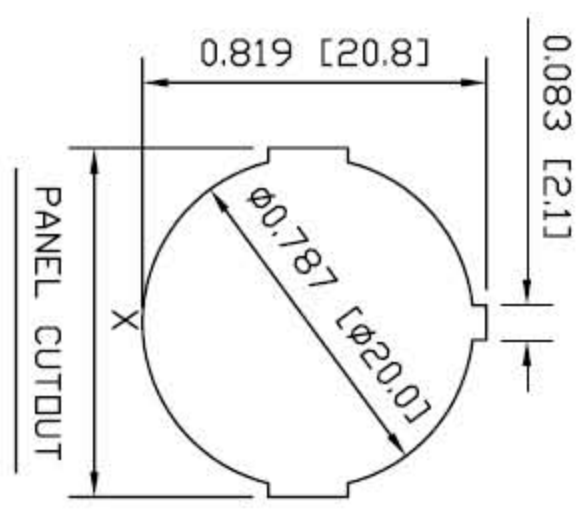
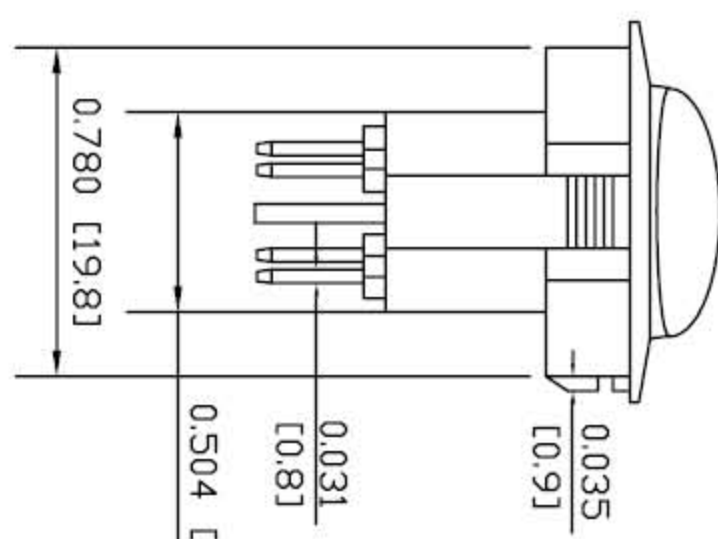
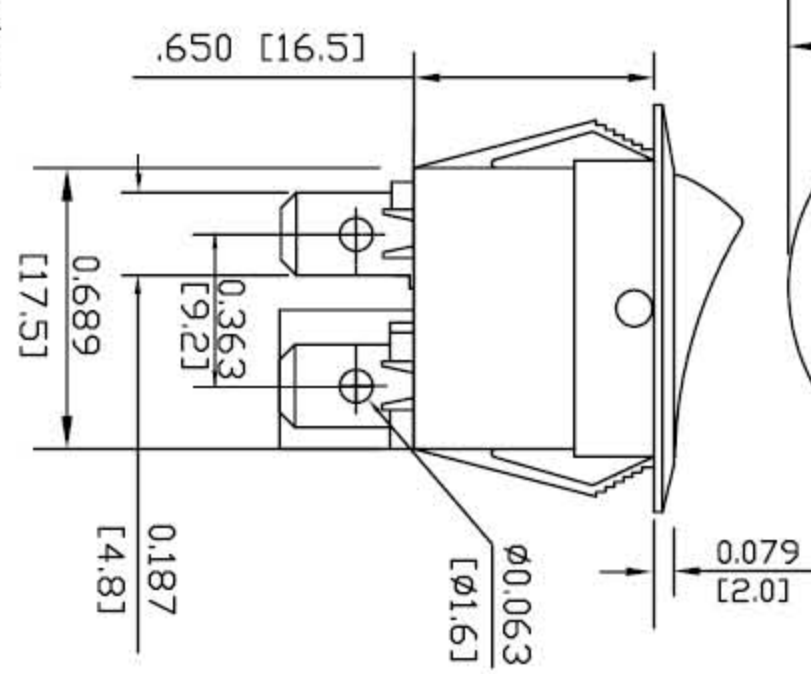
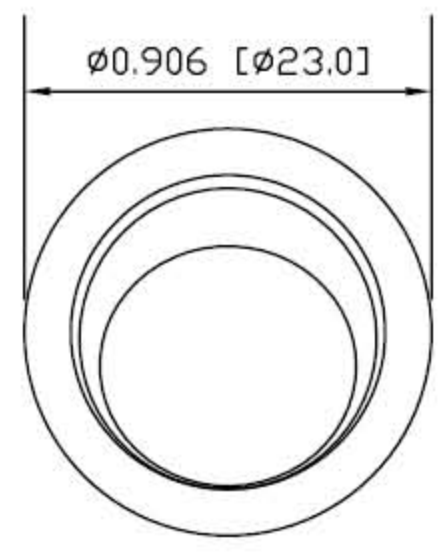
**MATERIALS**

**BODY:**  
 PA66

**ACTUATOR:**  
 PA66, PC for illuminated rocker

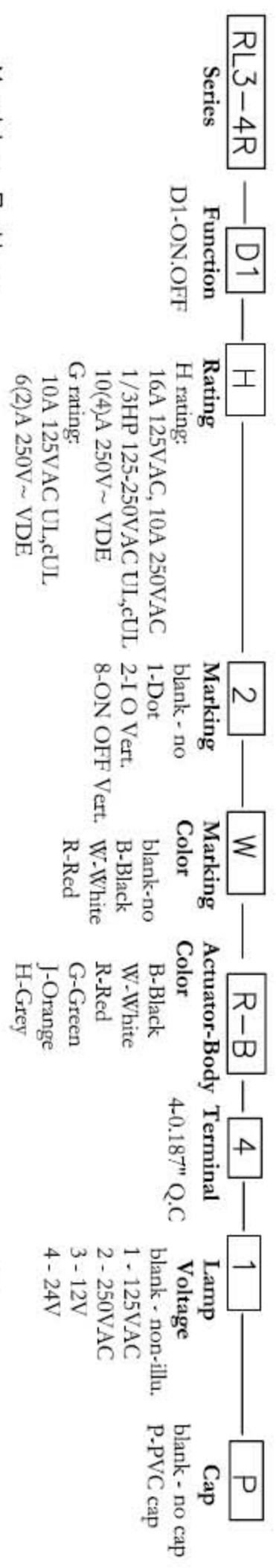
**CONTACT:**  
 Silver Alloy

**TERMINALS:**  
 Silver Plated Copper

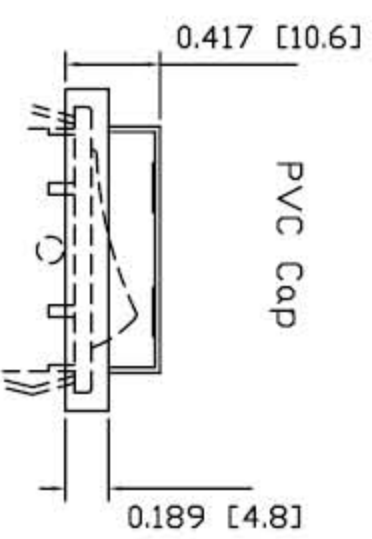
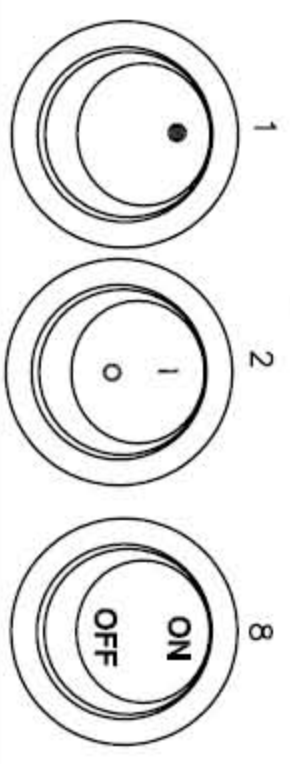


PANEL THICKNESS	X
0.030~0.049 [0.75~1.25]	0.800 [20.3]
0.049~0.079 [1.25~2.00]	0.819 [20.8]
0.079~0.118 [2.00~3.00]	0.831 [21.1]

**How to Order:**



**Marking Option:**



PHASEDA LLC

RL3-4R series



SPECIFICATION SUBJECT TO CHANGE WITHOUT PRIOR NOTICE

DIMENSIONS ARE IN INCHES [MILLIMETERS]

TOLERANCES: DEC. X±0.2

DRAWING NOT TO SCALE

DATE: JAN 2007

8

7

6

5

4

3

2

1

8

7

6

5

4

3

2

1