

SPECIFICATIONS

RATINGS:
5A 125VAC, 2.5A 250VAC UL, cUL

CONTACT RESISTANCE:
20mΩ Max.

INSULATION RESISTANCE:
100MΩ at 500VDC

DIELECTRIC STRENGTH:
1500VAC For 1 Minute

ELECTRICAL LIFE:
>10,000 Cycles

MECHANICAL LIFE:
>50,000 Cycles

MATERIALS

CASE:
Bakelite

HOUSING:
Stainless steel

BUSHING:
Brass, nickel plated

TOGGLE:
Brass, chrome plated

CONTACTS:
Silver plated copper

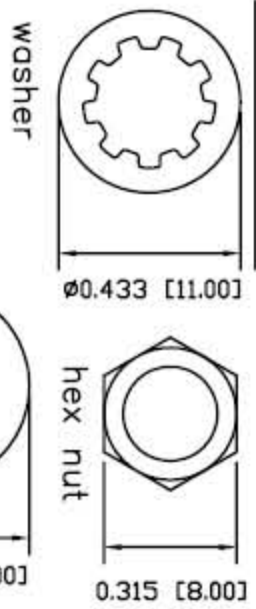
TERMINALS:
Silver Plated Copper, epoxy sealed

HARDWARE

WASHER

HEX NUT

LOCKING RING



PHASEDA LLC

MS series

SPECIFICATION SUBJECT TO CHANGE WITHOUT PRIOR NOTICE

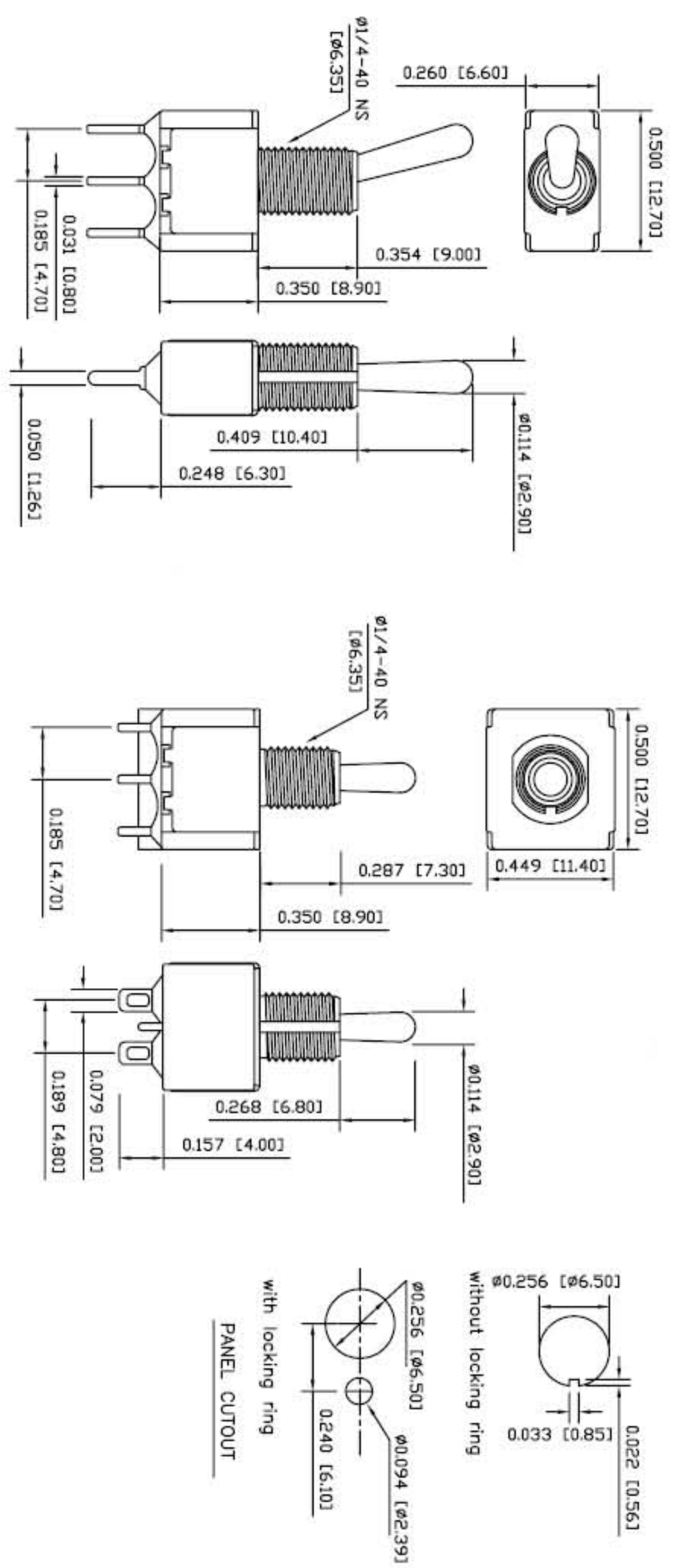
DIMENSIONS ARE IN INCHES [MILLIMETERS]

TOLERANCES: DEC. X±0.2

DRAWING NOT TO SCALE

DATE: JAN 2007

A



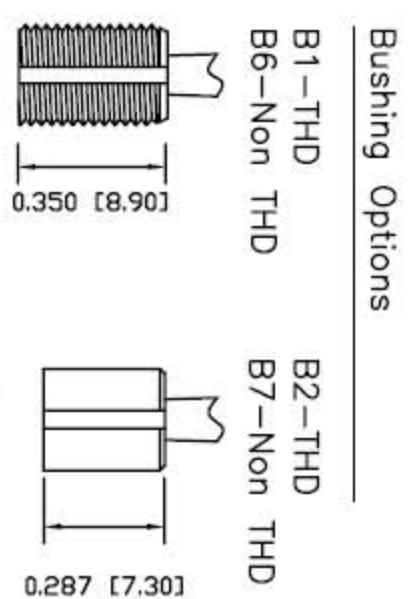
B

How to Order:

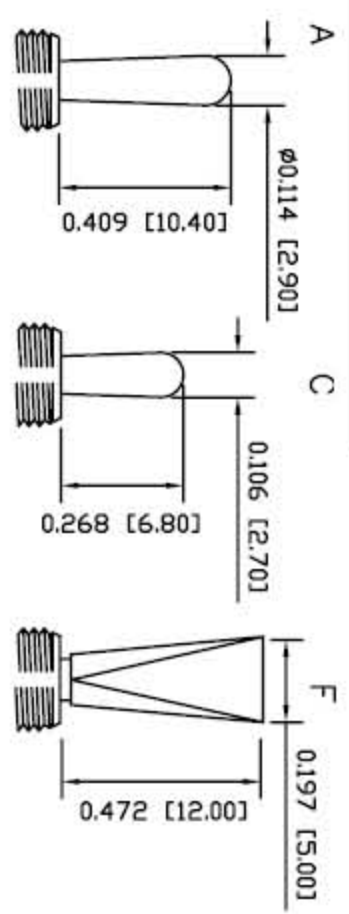


- Function**
- 1-SP ON,OFF
 - 2-SP ON,ON
 - 3-SP ON,OFF,ON
 - K-SP ON OFF (ON)
 - C-SP ON (ON)
 - V-SP (ON) OFF (ON)
 - (*) Momentary
- Actuator**
- A - Standard
 - C - Short
 - F - Flat
- Bushing**
- B1-Threaded
 - B2-Threaded
 - B6-Non-threaded
 - B7-Non-threaded
- Terminal**
- 1-PC-thru hole
 - 2-Solder
 - 3-PC-H
 - 4-PC-V
- * threaded bushing comes with 2 Hex nuts, 1 washer and 1 locking ring

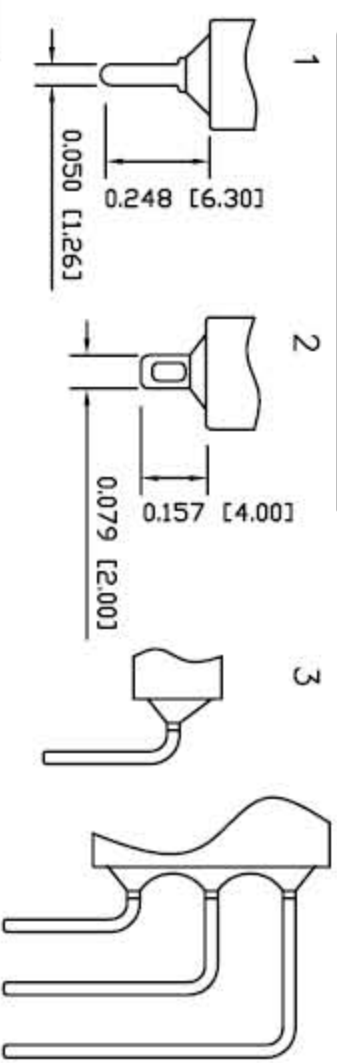
C



Actuator Options



Terminal Options



D