

**SPECIFICATIONS**

**RATINGS:**  
 15A 125VAC, 7.5A 250VAC UL, cUL  
 1/2HP 125-250VAC 105°C UL, cUL  
 10(8)A 250VAC 1E4 T120 VDE

**CONTACT RESISTANCE:**  
 20mΩ Max.

**INSULATION RESISTANCE:**  
 100MΩ at 500VDC Min.

**WITHSTAND VOLTAGE:**  
 1,500VAC For 1 Minute

**ELECTRICAL LIFE:**  
 >10,000 Cycles

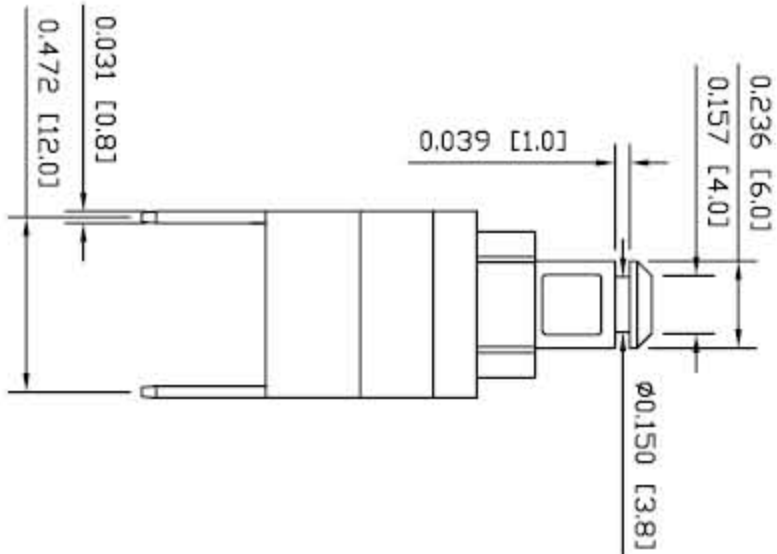
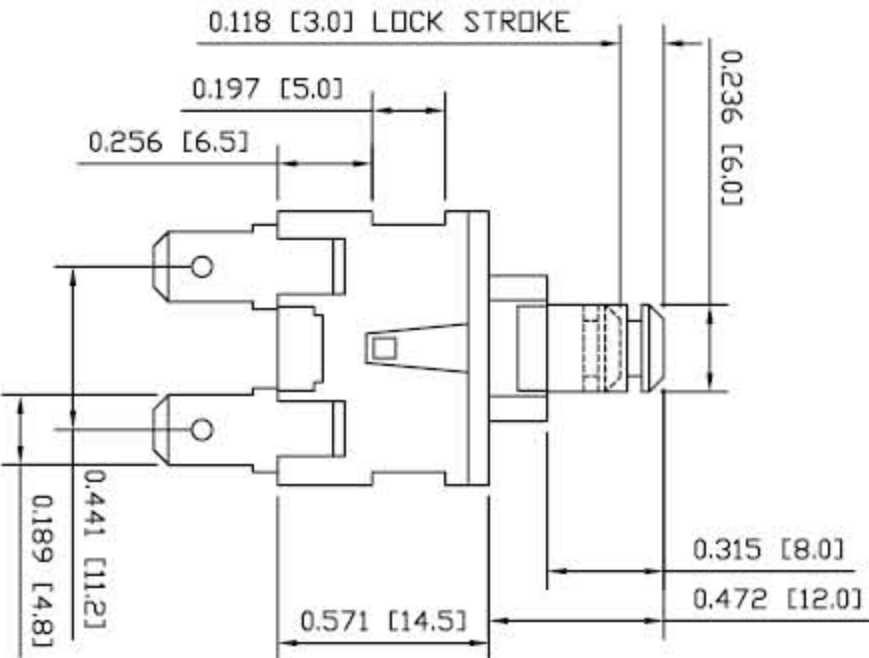
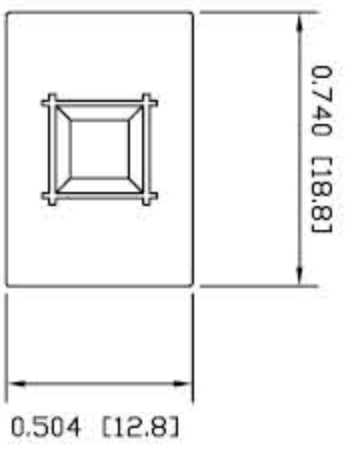
**MATERIALS**

**BODY:**  
 PA66

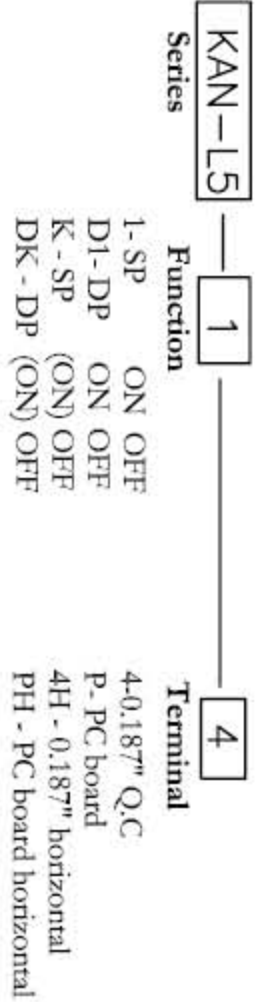
**ACTUATOR:**  
 PA66

**CONTACT:**  
 Silver Alloy

**TERMINALS:**  
 Silver Plated Copper



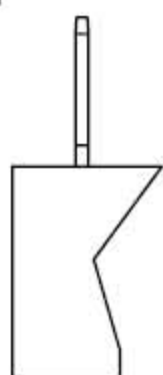
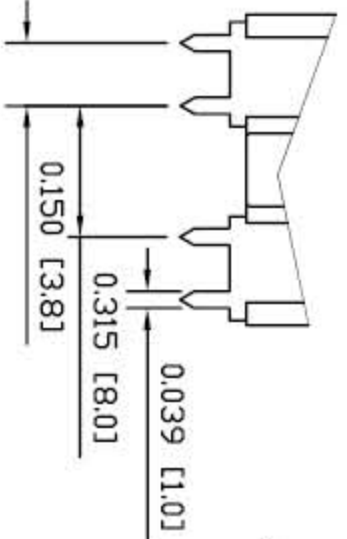
**How to Order:**



**Terminal Option:**

P. PC board terminal

Horizontal Terminal



PHASEDA LLC

**KAN-L5 series**

SPECIFICATION SUBJECT TO CHANGE WITHOUT PRIOR NOTICE

DIMENSIONS ARE IN INCHES [MILLIMETERS]

TOLERANCES: DEC. X±0.2 DRAWING NOT TO SCALE

DATE: JAN 2007

8

7

6

5

4

3

2

1

D

C

B

A