

8 7 6 5 4 3 2 1

SPECIFICATIONS

RATINGS:

18A 125VAC, 12A 250VAC, UL cUL

10A 250V~, 8A 400V~ (AC-15) TUV
 16A 250V~, 12A 400V~ (AC-1) TUV

ELECTRICAL LIFE:

>10,000 Cycles

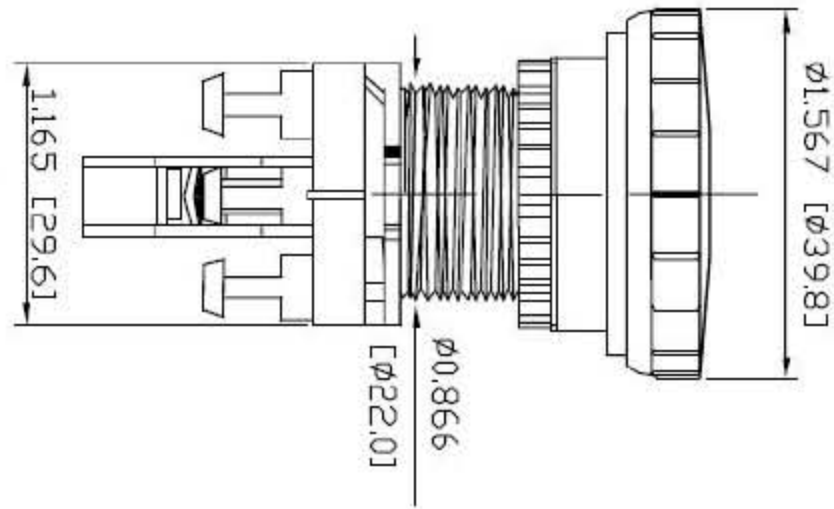
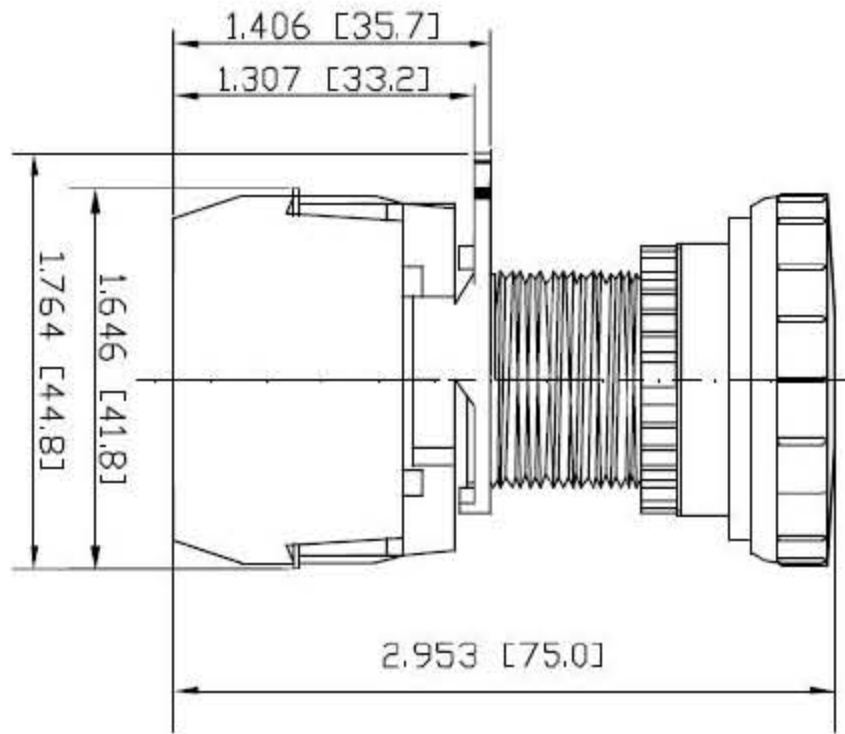
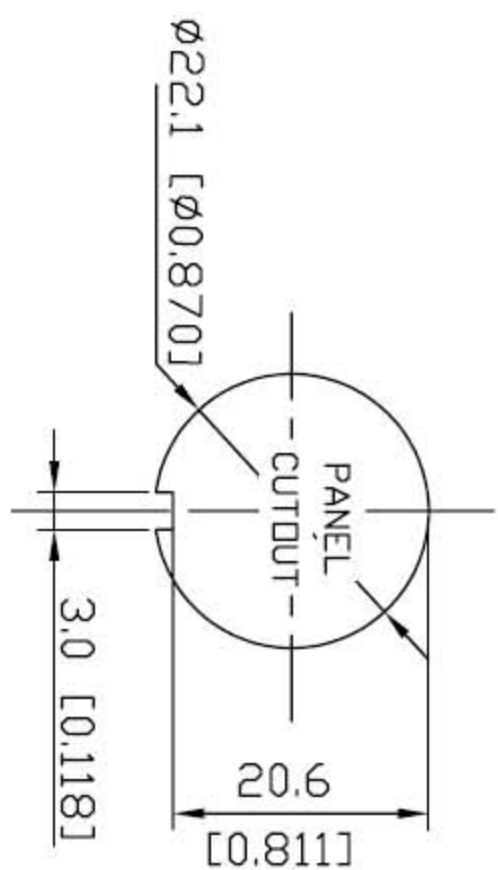
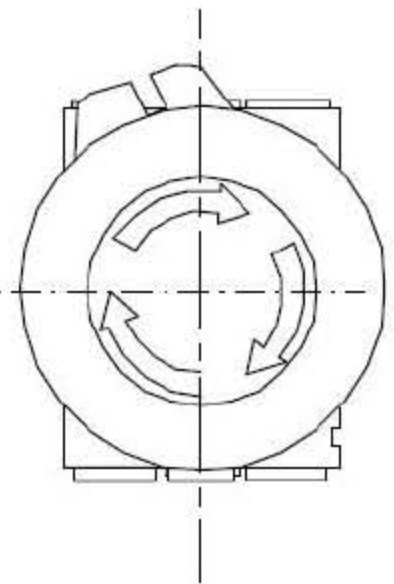
MATERIAL:

BODY: PA66

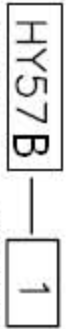
ACTUATOR: PA66, Red

CONTACTS: Silver-Tin Oxide Alloy

TERMINALS: Silver Plated Copper



How to Order:



- 1 - SP NC Push Off
- 2 - NO + NC
- 3 - SP NO Push On
- 4 - DP NO Push On
- 5 - DP NC Push Off



PHASEDA LLC

HY57B series

SPECIFICATION SUBJECT TO CHANGE WITHOUT PRIOR NOTICE

DIMENSIONS ARE IN INCHES [MILLIMETERS]

TOLERANCES: DEC. X±0.2

DRAWING NOT TO SCALE

DATE: JAN 2007

8 7 6 5 4 3 2 1

D

C

B

A