

8 7 6 5 4 3 2 1

SPECIFICATIONS

RATINGS:
 20A 250VAC, 12A 250VAC UL, cUL
 10(8)A 250VAC S, ENEC

CONTACT RESISTANCE:
 35mΩ Max.

INSULATION RESISTANCE:
 100MΩ at 500VDC

WITHSTAND VOLTAGE:
 1,500VAC For 1 Minute

ELECTRICAL LIFE:
 >10,000 Cycles

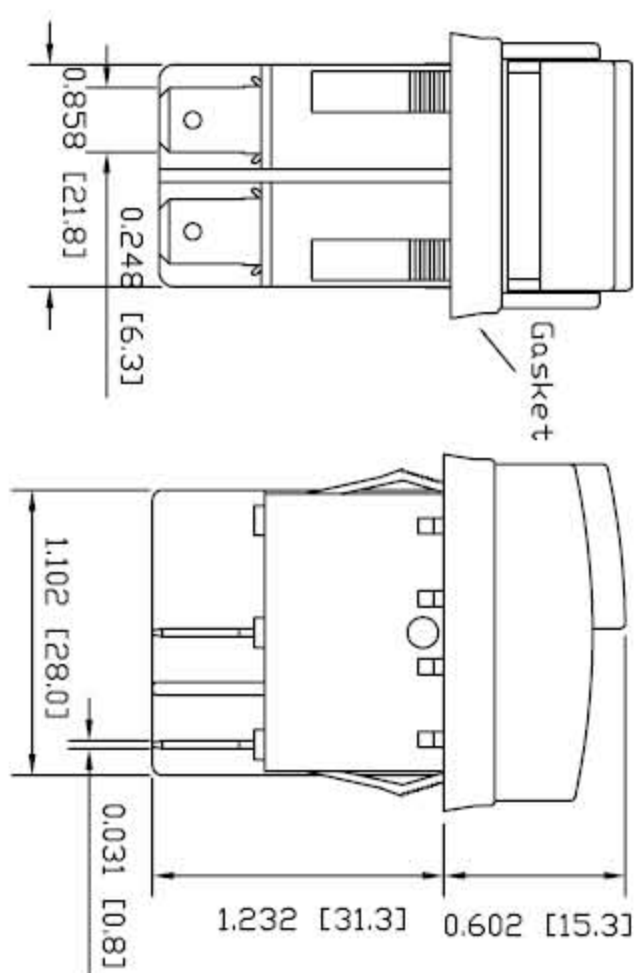
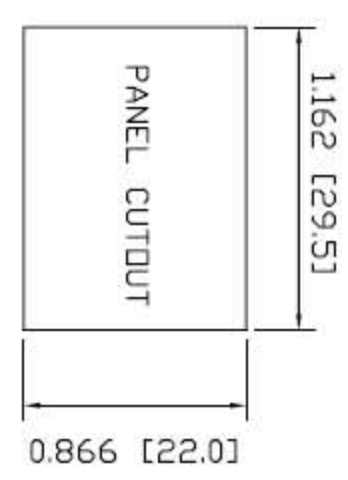
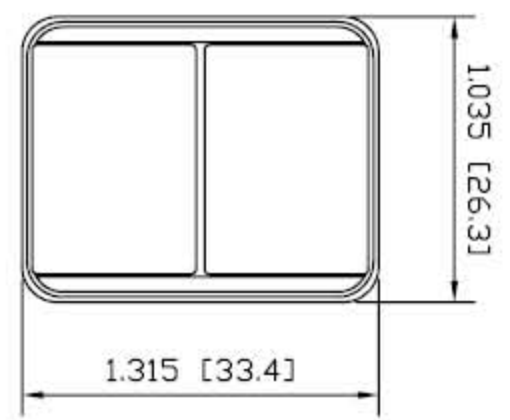
MATERIAL:

BODY: PA66

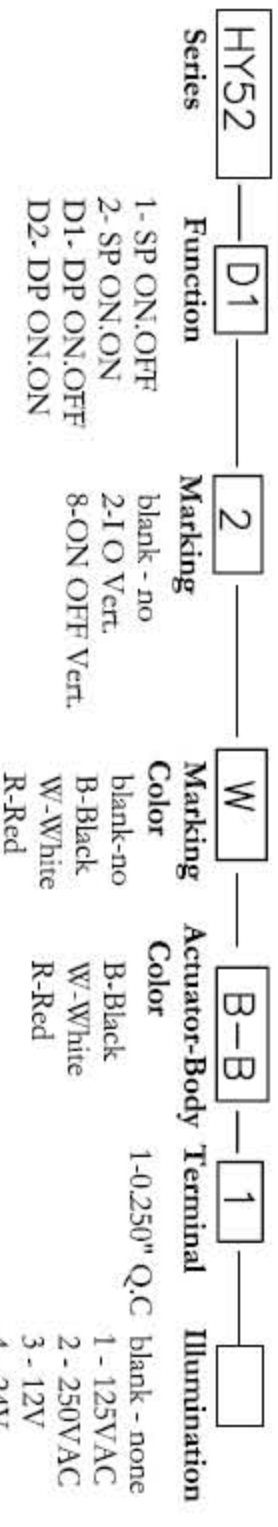
ACTUATOR: PA66

CONTACTS: Silver Alloy

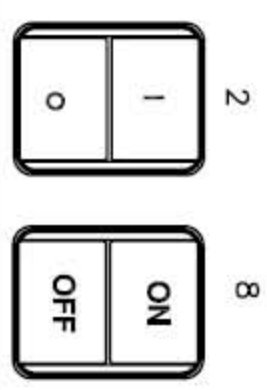
TERMINALS: Silver Plated Copper



How to Order:

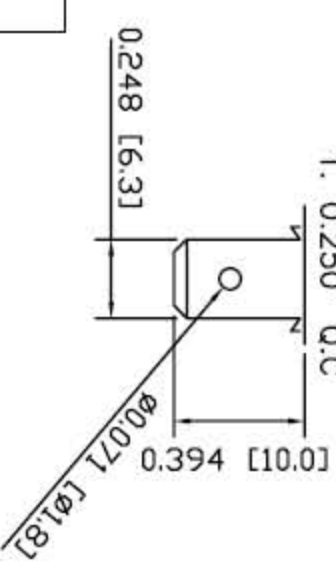


Marking Option:

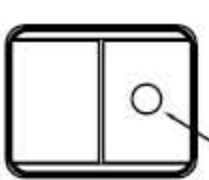


Terminal Option:

1. 0.250" Q.C



Round LEN



PHASEDA LLC

HY52 series

SPECIFICATION SUBJECT TO CHANGE WITHOUT PRIOR NOTICE DIMENSIONS ARE IN INCHES [MILLIMETERS] TOLERANCES: DEC .X±0.2 DRAWING NOT TO SCALE DATE: JAN 2007

8 7 6 5 4 3 2 1