

G22 Anti-Vandal Pushbutton

SPECIFICATION:

Rating: 5A 250VAC

Contact Resistance: <50mΩ

Insulation Resistance: > 1,000MΩ

Dielectric Strength: 2,000VAC for 1 minute

Ambient Temperature: -20°C ~ +50°C

Operating Force: 300 - 500gram

Travel Distance: 0.110inch [2.8mm]

Mechanical Life: >500,000 cycles

Electrical Life: >50,000 cycles

MATERIALS:

Body: Stainless steel

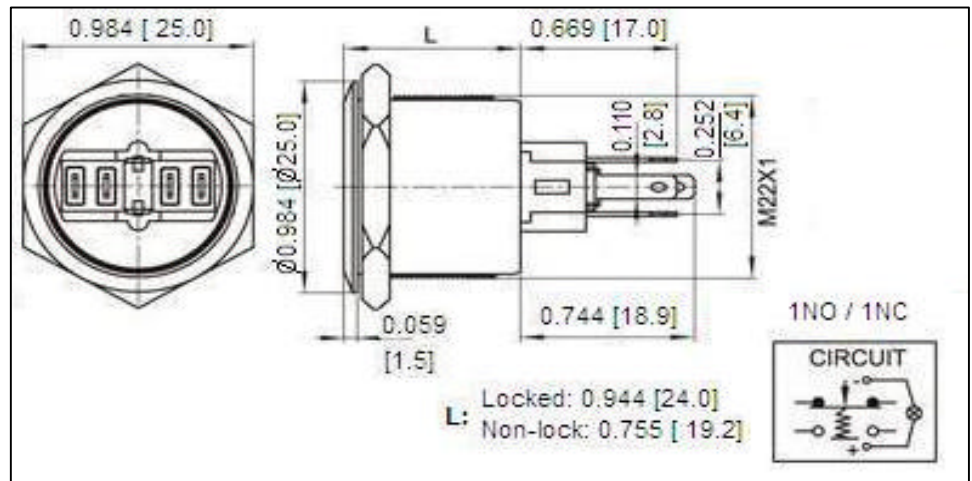
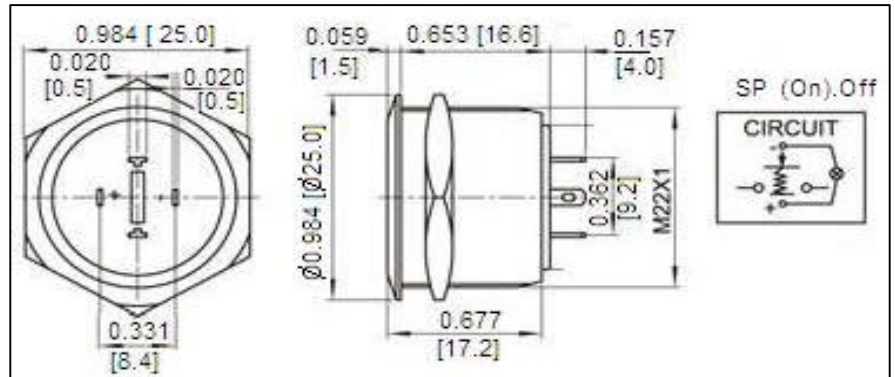
Button: Stainless steel

Base: PBT

Contact: Silver alloy

Terminal: Silve plated brass

Panel hole: 0.866" Dia. (Ø22.0mm)



How to Order:

G22 - - - 11 - -

Function

- O - Indicator
- K - SP (On) Off
- 11 - 1NO/1NC (locked)
- K1 - 1NO/1NC (non-locked)

- - F - -

Button style

- F - Flat
- D - Dome
- H - High raised

- - R - -

Illumination

- D - Center dot
- R - Circle ring
- N - none

- - L - -

LED color

- N - None
- W - White
- R - Red
- G - Green
- J - Orange
- L - Blue

- - 4 - -

Lamp Voltage

- N - none
- 1 - 110V
- 2 - 220V
- 3 - 12V
- 4 - 24V
- 7 - 6V
- 8 - Base

- - 2

Terminal

- 2- solder
- 6 - screw

