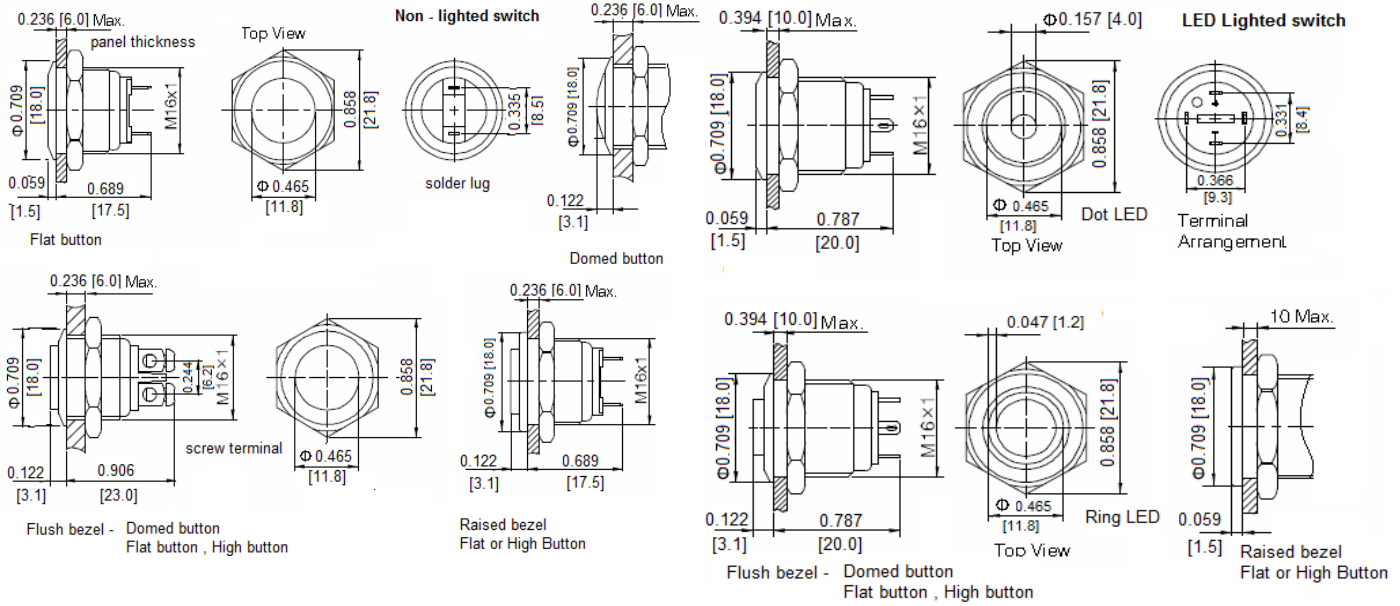


GQ 16 Anti-vandal pushbutton switch



Fit in 0.630 inch [16.00 mm] panel hole
 Stainless steel or nickel plated brass body for harsh environment
 Momentary push ON function
 Various LED colors options
 UL approval rating at 2V 36VDC
 Water proof at IP65



Non-lighted switch

GQ16	Material	Bezel style	Function	Button Style	Terminal
	S – stainless steel	F – flush bezel	K – (ON).OFF	F – Flat	2- solder
	N – Nickel plated brass	R – Raised bezel		D – Dome	6 – screw
				H – High flat	

Lighted switch

GQ16	Material	Bezel style	Function	Button Style	LED Style	LED color	Lamp Voltage	Terminal
	S – stainless steel	F – flush bezel	K – (ON).OFF	F – Flat	D – center dot	R – Red	1 – 110V	2- solder
	N – Nickel plated brass	R – Raised bezel		D – Dome	R – Circle ring	G – Green	2 – 220V	
				H – High flat		W – White	3 – 12V	
						L – Blue	4 – 24V	
						J – Orange	7 – 6V	
							8 – Base V	
							9 – 36V	