

ZD-HD Cam Switch



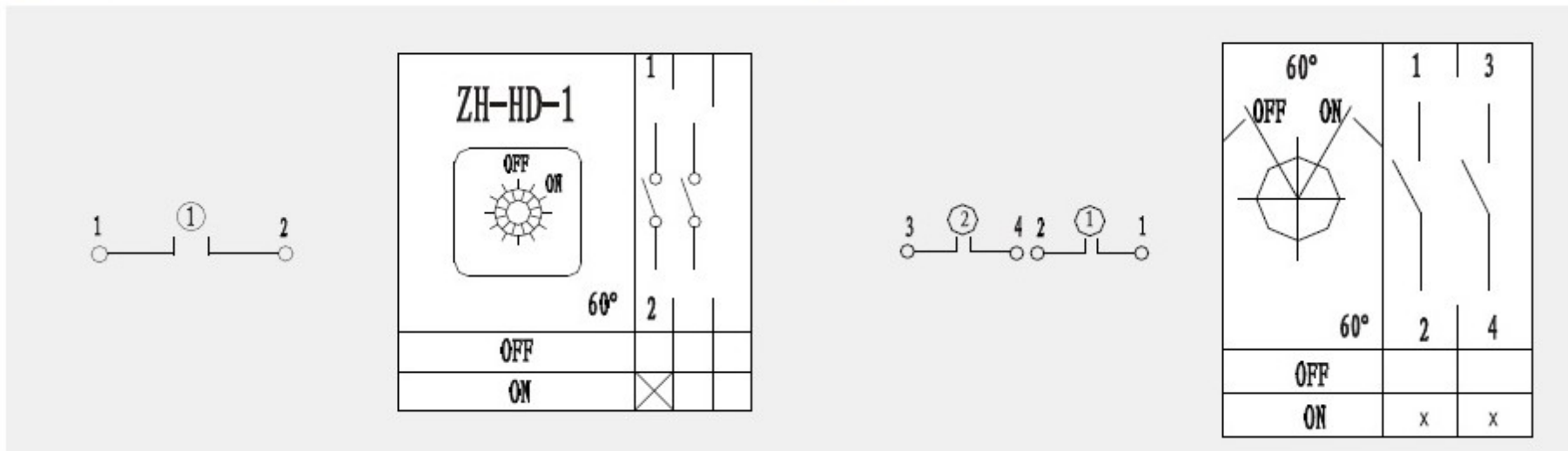
Specifications:

Standard	UL (UL508)				TUV (EN60947-3)	
Rated Voltage	125V~	250V~	440V~	240V~	250V~	440V~
Rated Current	25A	16A	7.5HP (Three phases)	3HP (single phase)	10A (AC-15) 13A (AC-23) 16A (AC-3) 18A (AC-21)	5A (AC-15) 13A (AC-23) 16A (AC-3) 18A (AC-21)
Rated conditional short-circuit current	15KA 240-440V~					
Number of Operating Cycles	50,000					

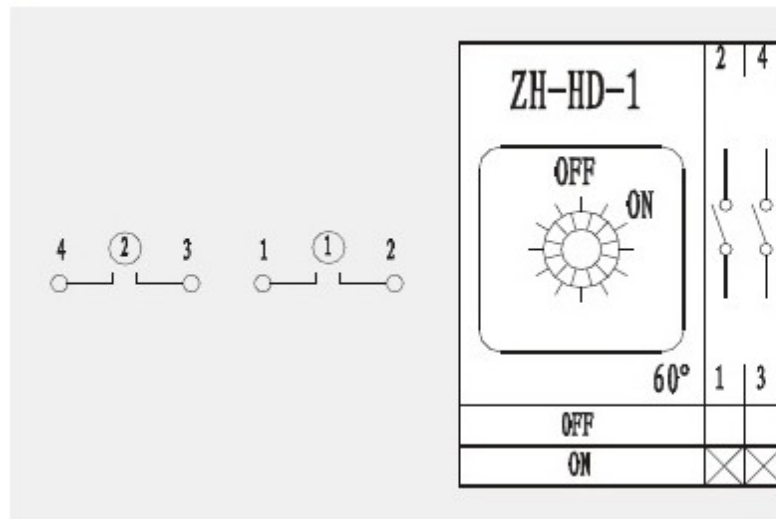
Function Options:

F1 2 positions and 1 Floor :

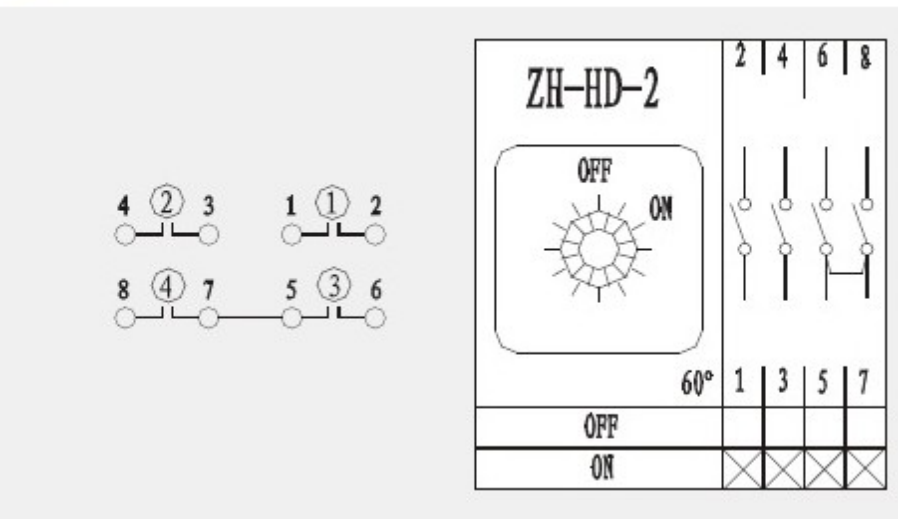
F2 2 positions and 1 Floor



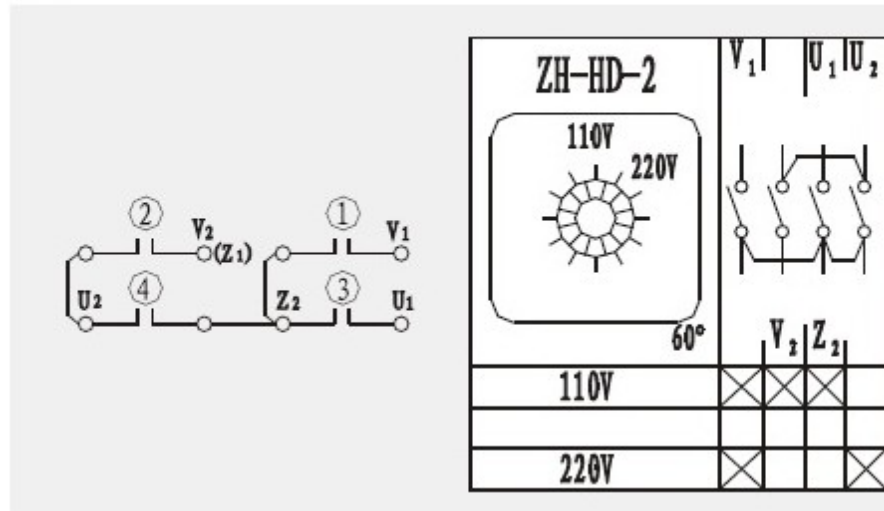
F3 2 positions and 1 Floor :



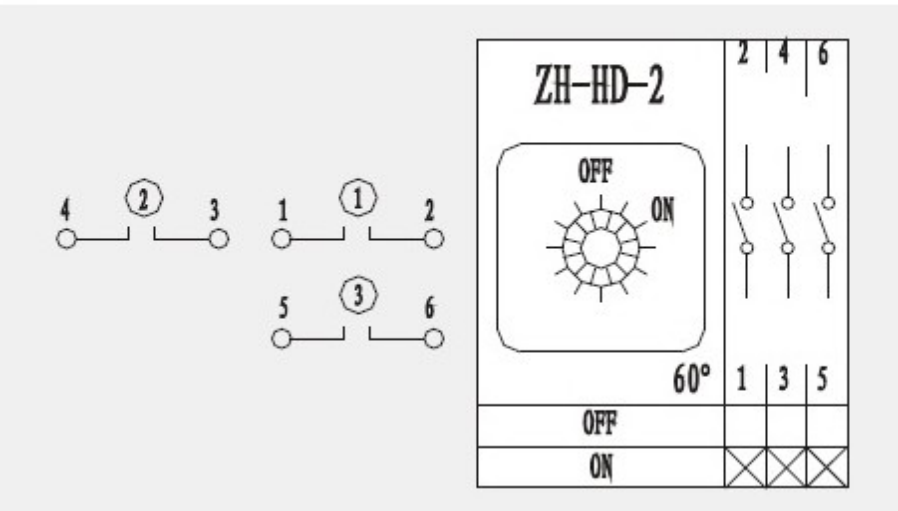
F4 2 positions and 2 Floor :



F5 2 positions and 2 Floor

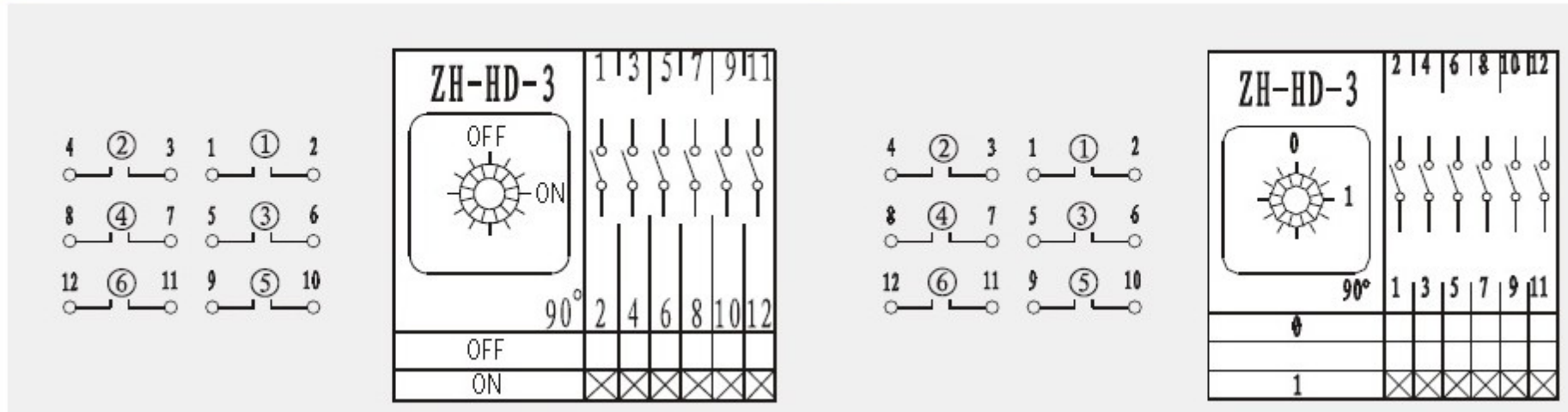


F6 2 positions and 2 Floor :



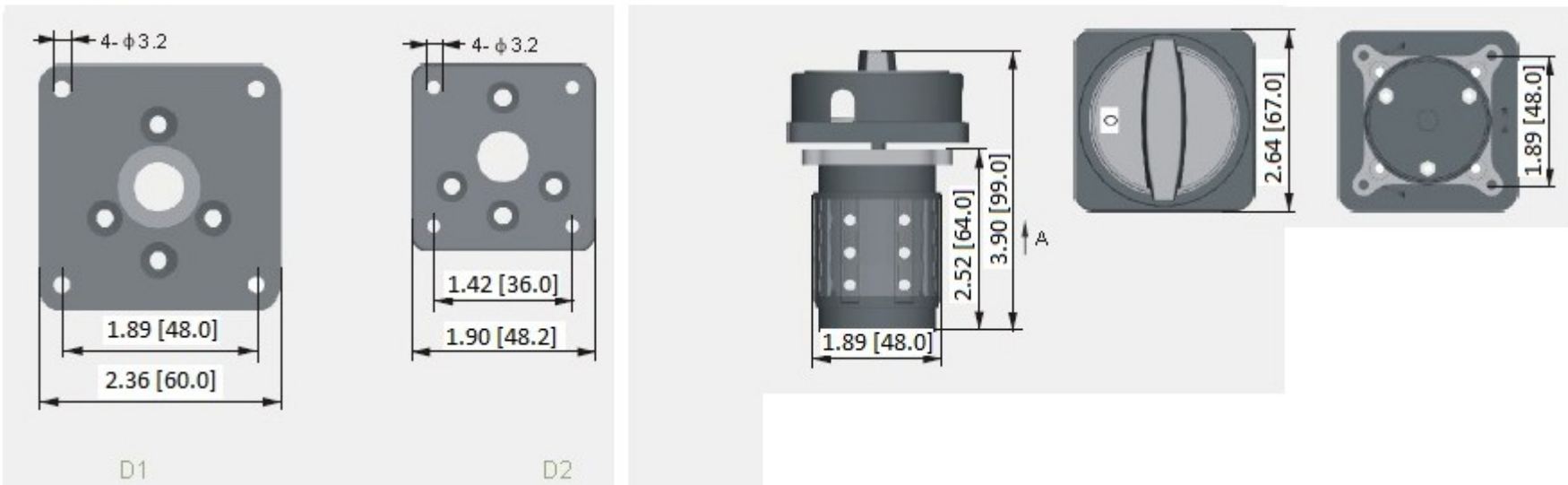
F7 2 positions and 3 Floor

F8 2 positions and 3 Floor



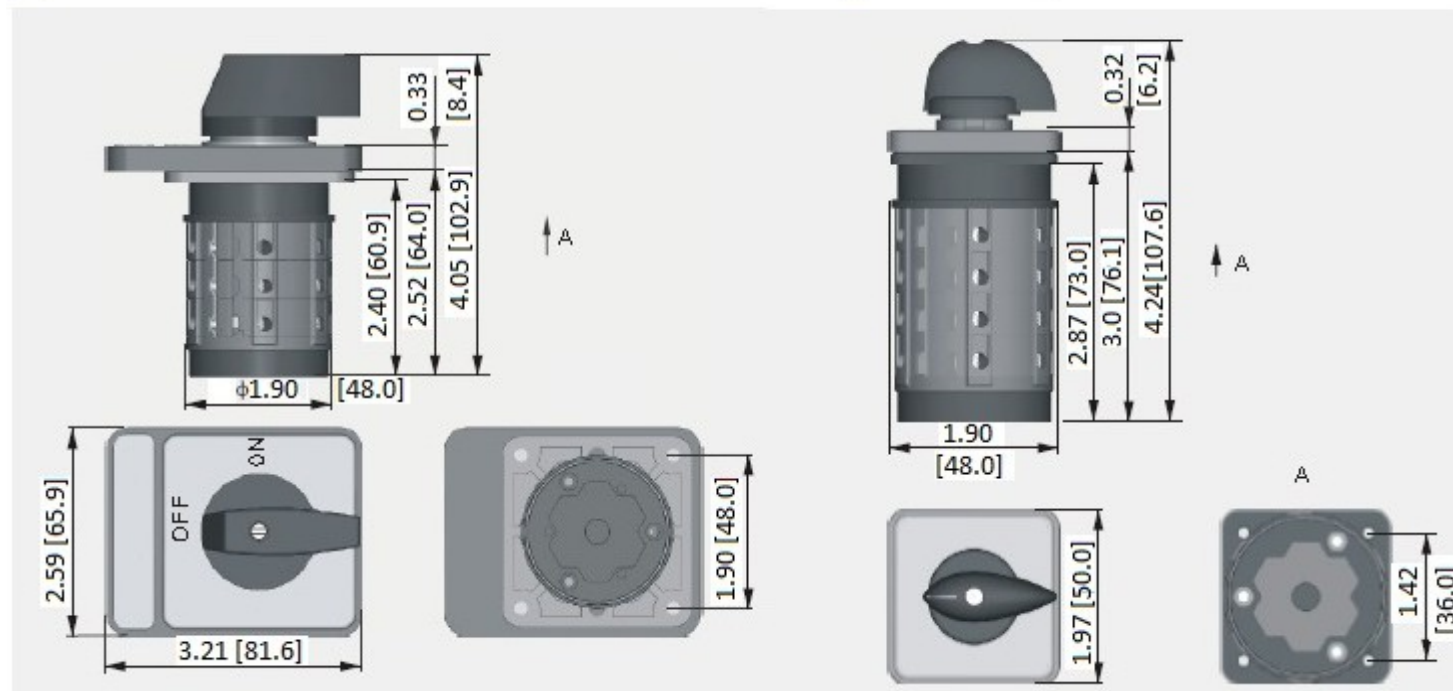
Assembly Panel

ZH-HD-3-01



ZH-HD-3

ZH-HD-4-01



ZD-HD-6

2 positions and 6 Floor



P9






Distance of installation center
1.89 x 1.89 [48 x 48]



B8



How to Order

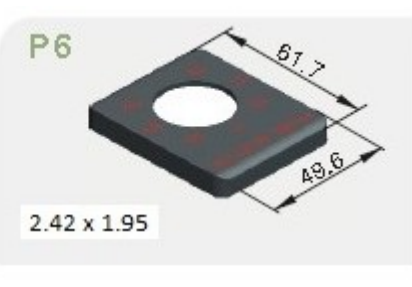
Type	Function	Marking
ZH-HD-1 2 positions and 1 Floor 	F1-F3	M1 
ZD-HD-2 2 positions and 2 Floor 	F4-F6	M2  M3 

Panel and button:

P1  3.21 x 2.59	B1  1.98 x 0.75
P2  2.59 x 2.59	B2  2.02 x 0.95
P5 	B3  1.57 x 0.75
P3  2.45 x 1.98	B4  1.57 x 0.79
P4  1.97 x 1.97	



F7-F8



F9

